



# Centium T5

## CENTIUM ICN2S28N35I

Philips Advance Centium ballasts for T5 lamps at 120-277V are now available with our industry leading N-can at 9.5" x 1.3" x 1.0" or T-can at 14.17" x 1.18" x 1.06", which provides fixture manufacturers increased versatility in their newer generation fixture designs. These ballasts are compatible with all major energy-saving T5 linear lamps and have a variety of other features which makes them ideal for a variety of applications. The ballasts' programmed start ignition provides extended lamp life in frequent switching applications such as those where occupancy sensors are being used. They also feature lamp End-Of-Life (EOL) protection circuitry which safely removes power from the lamp at the end of lamp life.

### Product data

General Information		Power Factor (Nom)	
Lamp Type	F28T5		0.98
Number Of Lamps	1/2 piece/unit	Input Current (Max)	0.53 A
Ballast Type	Electronic Fluorescent	Input Current (Min)	0.23 A
Base Model	ICN2S28N	Input Power (Nom)	63-62 W
Suitable For Outdoor Use	Yes	Rated Lamp Power	28W W
Automatic Restart	Yes		
Operating and Electrical		Wiring	
Input Voltage	120 to 277 V	Color Input Terminals	No terminals
Input Frequency	50 to 60 Hz	Color Output Terminals	No terminals
Total Harmonic Distortion USA	10 %	Wire Striplength	0.50/0.375 mm
Power (Rated) (Nom)	28 W	Lamp Connection	Series
Ignition Method	Programmed Start	Wire Length By Color	See data sheet
Crestfactor (Nom)	1.7	Wire Gauge (Nom)	18AWG mm
Ignition Time (Nom)	1.5 s	Wire Type	Solid
Ballast Factor (Nom)	1.03	Remote Wiring Configuration Allowed	Yes
		Tandem Wiring Configuration Allowed	Yes
		Through Wiring Configuration Allowed	Yes

## Centium T5

Max Ballast-Lamp Distance Remote Wiring	20'
Max Ballast-Lamp Distance Tandem Wiring	Blue = 10'
Max Ballast-Lamp Distance Through Wiring	Blue = 10'
Connector Type	No connector

### Temperature

T-Case Maximum (Nom)	70 °C
----------------------	-------

### Mechanical and Housing

Housing Material	Metal
Housing	N
Housing Dimensions	9.5" x 1.3" x 1.0"

### Approval and Application

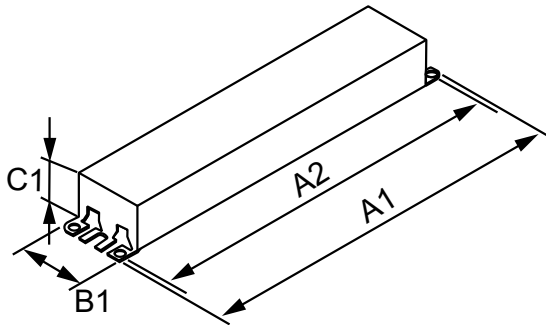
EMC Immunity Standard	FCC Non-Consumer
-----------------------	------------------

Approval Marks	CSA certificate UL certificate CEC Listing FIDE Certificate NOM certificate RoHS Compliant
Hum And Noise Level	A
UL Recognized	No

### Product Data

Order product name	CENTIUM ICN2S28N35I
EAN/UPC - Product	781087080726
Order code	913710891601
Numerator - Quantity Per Pack	1
Numerator - Packs per outer box	10
Material Nr. (12NC)	913710891601
Net Weight (Piece)	373.000 g

## Dimensional drawing



ELE BALLAST (2) F28T5 120-277V

Product	A1	A2	B1	C1
---------	----	----	----	----

