

S400MLTAC4M

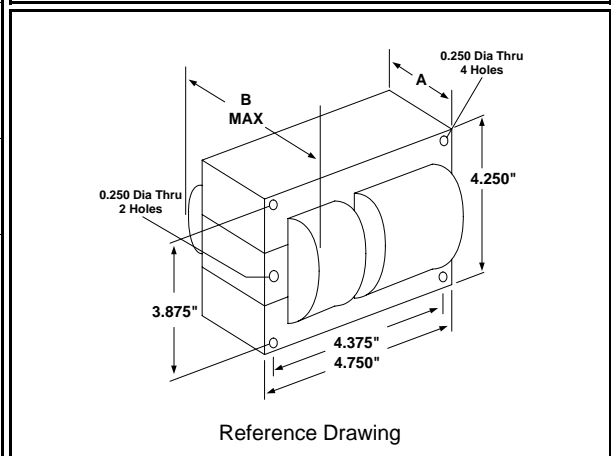
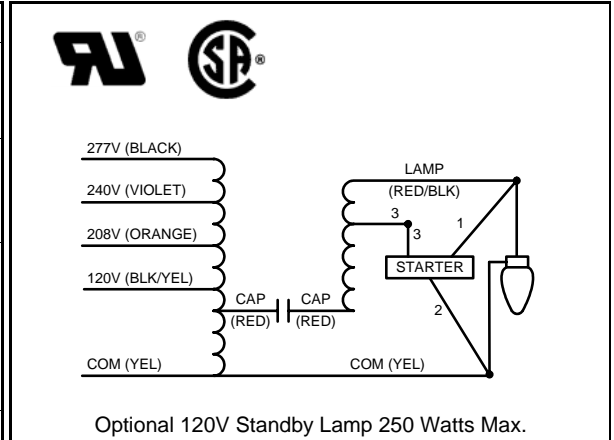
400W S51

High Pressure Sodium

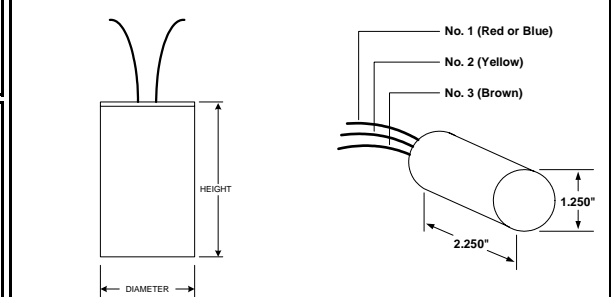
60Hz CWA

Specification Sheet

Input Volts	120	208	240	277
Regulation				
Line Volts	±10%	±10%	±10%	±10%
Lamp Watts	±10%	±10%	±10%	±10%
Power Factor (min)	90%	90%	90%	90%
Input Watts	463 W	463 W	463 W	463 W
NOM. Open Circuit Voltage	190 V	190 V	190 V	190 V
Line Current (Amps)				
Operating	3.80	2.20	1.90	1.70
Open Circuit	1.95	1.10	0.95	0.85
Starting	3.00	1.75	1.50	1.30
Recommended Fuse (Amps)	10	6	5	5
Lamp Dropout Voltage (Line)	90 V	155 V	180 V	210 V
UL Temperature Ratings				
Insulation Class	H (180°C)	H (180°C)	H (180°C)	H (180°C)
Temperature Code	D	D	D	D
MIN. Starting Temperature	-40°F -40°C	-40°F -40°C	-40°F -40°C	-40°F -40°C
CAPACITOR Specifications				
Microfarads	55 uf	55 uf	55 uf	55 uf
Volts (min.)	240 V	240 V	240 V	240 V
60Hz Test Procedures				
High Potential Test 1 Minute	2000 V	2000 V	2000 V	2000 V
High Potential Test 1 Second	2500 V	2500 V	2500 V	2500 V
Secondary Open Ckt Voltage (V)	170 - 210	170 - 210	170 - 210	170 - 210
Secondary Current Shorted (A)	5.90 - 7.30	5.90 - 7.30	5.90 - 7.30	5.90 - 7.30
Input Operating Current (A)	3.40 - 4.20	2.00 - 2.50	1.70 - 2.10	1.45 - 1.95
Input Open Circuit Current (A)	0.95 - 2.80	0.55 - 1.65	0.45 - 1.40	0.40 - 1.25
Input Short Circuit Current (A)	2.00 - 3.40	1.15 - 1.95	1.00 - 1.70	0.85 - 1.50
Core and Coil Specifications				
Dimension A	2.32 in	2.32 in	2.32 in	2.32 in
Dimension B	4.10 in	4.10 in	4.10 in	4.10 in
Weight	14.0 lbs	14.0 lbs	14.0 lbs	14.0 lbs
Lead Lengths (inches)	12-14	12-14	12-14	12-14
Coil Material (Pri. / Sec.):	Cu / Cu	Cu / Cu	Cu / Cu	Cu / Cu



Capacitor: R17058507	Ignitor: HPS400-3A
Max Case Temp: 100 °C	Max Case Temp 105 °C
Height: 3.74 in	BTL: 10 ft
Width / Diameter: 1.77 in	



Oil Cap. - P/N 005-1594-MF Consult Catalog for Specs.

Document #:	010-9653-04
Date:	11/17/2008
Status:	Production
Replaces Catalog #:	1230-93U

Data is based upon tests performed by Universal Lighting Technologies in a controlled environment and is representative of relative performance. Actual performance may vary depending on operating conditions. Specifications are subject to change without notice.