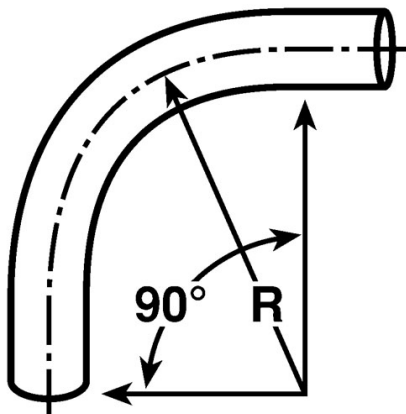


# Carlon®



**T&B Catalog Number:** UA9AG  
**UPC Number:** 3448106044  
**Description:** 1-1/4" x 90°; schedule 40 non-metallic standard radius rigid elbow.

**Status:** Active



### General

-Material: Non-Metallic  
 -Elbow Type: Standard Radius

### Dimension Information

-Degree of Bend: 90

### Packaging

-Package in Units: 20  
 -T&B Sold in UOM: Each  
 -T&B Weight Per UOM: 0.67 lbs. Each

### Application Support

-Product Overview-PVC Conduit Repair Systems: Available on Website  
 -Product Overview-Schedule 40 & 80 Elbow and Fittings: Available on Website  
 -Technical Specifications: Available on Website

### Certifications

-RoHS Compliance: Yes

### Certifications



File Nbr:  
E 35297

**For further technical assistance, please contact us...**

Thomas & Betts - USA  
 8155 T&B Blvd.  
 Memphis, TN 38125  
 www.tnb.com

T&B Technical Support  
 MS 3B-50  
 8155 T&B Blvd.  
 Memphis, TN 38125

Hours: 7AM - 6PM CDT  
 Monday-Friday  
 Phone: (888) 862-3289  
 Fax: (901) 252-1321  
 Email: techsupport@tnb.com