

Straight Blade Devices 15A, 250V, 2 Pole, 3 Wire Grounding Single Panel Mount Receptacle

HUBBELL

Features

- Slender/compact design
- Triple wipe contacts
- Panel mount

Ordering Information

Description	Device Color	UPC	Catalog Number
Panel mount 1.75 in. (44.5) centers	Brown	783585014388	HBL5658

Listings

UL Listed to UL498 File No. E2186
Certified to CSA 22.2, No. 42 File 285
NEMA® WD-6 Compliant
NEMA® WD-6 Compliant

Specifications

Body	PBT
Insulator	RTP
Contacts	Brass
Terminal Screws	Brass
Mounting Strap	Galvanized steel
Automatic Self-grounding Clip	Stainless steel
Mounting Screws	Galvanized Steel

Performance

Electrical

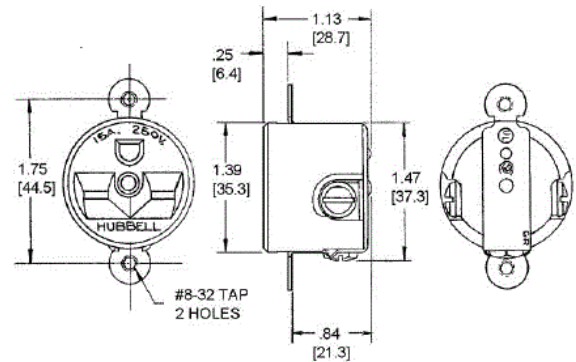
Current Interrupting Certified for current interrupting at full rated current
Dielectric Voltage Withstands 2,000V minimum

Mechanical

Product Identification Ratings are a permanent part of the device
Terminal Accommodation #14-#10 AWG copper stranded or solid conductor only
Terminal Identification Terminals identified in accordance with UL 498 and CSA

Environmental

Flammability UL 94 V-0
Operating Temperatures Maximum continuous 75°C; minimum -40°C (w/o impact)



Resources

Customer Use Drawing
eCatalog

Dimensions in Inches (mm)

Hubbell Wiring Device-Kellems • Hubbell Incorporated (Delaware) • 40 Waterview Drive • Shelton, CT 06484

Phone (800) 288-6000 • Fax (800) 255-1031 • Specifications subject to change without notice.

