

Twist-Lock® Devices

15A, 277V AC, 2 Pole, 3 Wire Grounding

Receptacle

HUBBELL



Features

- Reinforced thermoplastic construction
- Single piece, all brass contacts
- Single point break-off tabs
- Mounting strap tabs lock the body and base together



15A 277V AC
NEMA L7-15R
UL/CSA
2 HP



Ordering Information

| Description | Device Color | UPC | Catalog Number |
|----------------------|--------------|--------------|----------------|
| Duplex, flush, brown | Brown | 783585002347 | HBL4750 |

Listings

Listed to UL 498
Fed. Spec. W-C-596
Certified to CSA C22.2 No.42

Specifications

| | |
|-----------------|-------|
| Face | RTP |
| Base | RTP |
| Contacts | Brass |
| Clamp | Brass |
| Ground Contact | Brass |
| Terminal Screws | Brass |

Performance

Electrical

Current Interrupting Certified for current interrupting at full rated current
Dielectric Voltage Withstands 2,000V minimum

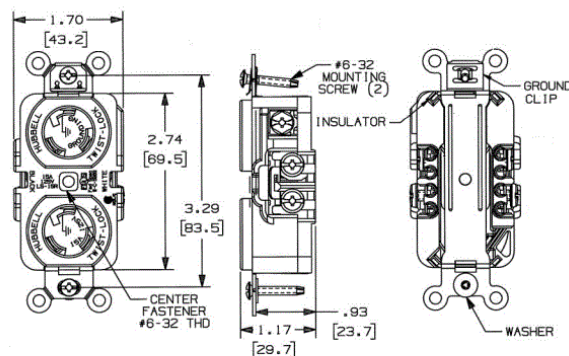
Mechanical

Terminal Accommodation #18 AWG - #10 AWG solid or stranded copper wire only.

Terminal Identification Terminals identified in accordance with UL 498

Environmental

Flammability HB or better per UL94/CSA 22.2 No.0.17
Operating Temperatures Maximum Continuous 75°C; Minimum -40°C (w/o impact)



Online Resources

Customer Use Drawing
eCatalog
Installation Instructions

Accessories

Plug
Wallplate or Weatherproof Cover

HBL4770C
1.40" Opening

Dimensions in Inches (mm)

Hubbell Wiring Device-Kellems • Hubbell Incorporated (Delaware) • 40 Waterview Drive • Shelton, CT 06484

Phone (800) 288-6000 • Fax (800) 255-1031 • Specifications subject to change without notice.

