

# ValueLED™ Panel

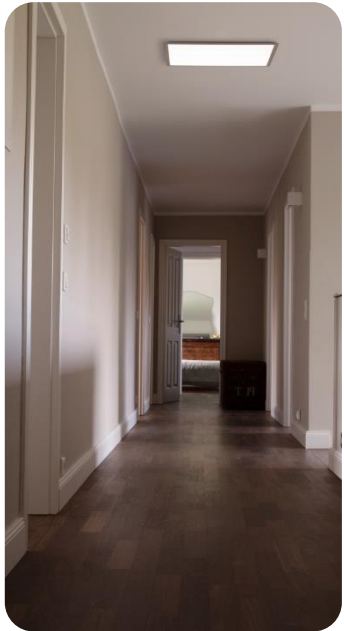


Ahmed Eissa



# ValueLED™ Panel

## Key Features and Benefits



- Back-lit, offering even and uniform lighting
- Junction box compliant with UL and NEC for through wiring
- DLC Listed to maximize rebate opportunities
- EM ready – compatible with the SYLVANIA field installable emergency battery back-up unit (see Accessories for further details)

Wattage	CCT (K)	Size	Voltage	Warranty
30W	3500K, 4000K, 5000K	1x4, 2x2, 2x4	120-277	5 years
40W	3500K, 4000K, 5000K	2x4	120-277	5 years

### Applications

- Office
- Retail
- Hospitality



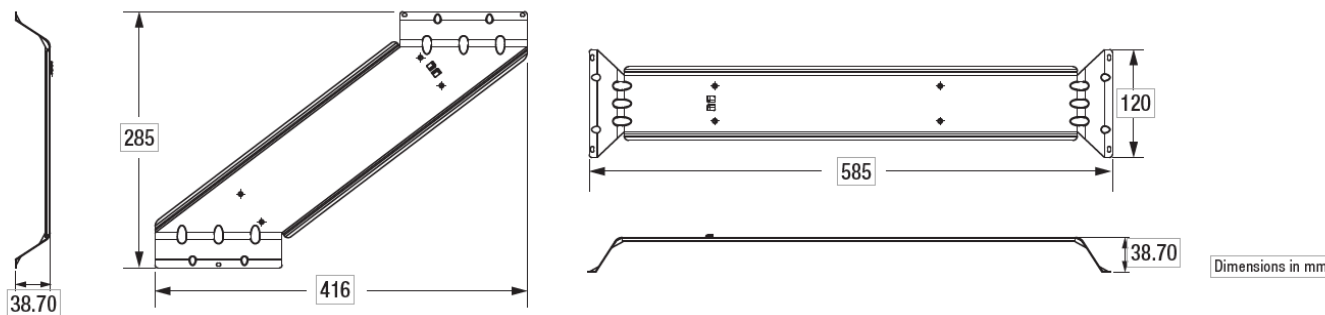
## ValueLED™ Panel Product Offering

Item Number	Ordering Description (click for PIB)	Wattage	Voltage	Dimming	CRI/CCT	Lumens	LPW	DLC
61579	<a href="#">PANELF3A/030UNVD835/14GWH</a>	30	120-277	0-10	835	3200	105	Standard
61580	<a href="#">PANELF3A/030UNVD840/14GWH</a>	30	120-277	0-10	840	3200	105	Standard
61581	<a href="#">PANELF3A/030UNVD85014/GWH</a>	30	120-277	0-10	850	3200	105	Standard
61582	<a href="#">PANELF3A/030UNVD83522/GWH</a>	30	120-277	0-10	835	3200	105	Standard
61583	<a href="#">PANELF3A/030UNVD84022/GWH</a>	30	120-277	0-10	840	3200	105	Standard
61584	<a href="#">PANELF3A/030UNVD85022/GWH</a>	30	120-277	0-10	850	3200	105	Standard
61585	<a href="#">PANELF3A/030UNVD835/24GWH</a>	30	120-277	0-10	835	3200	105	Standard
61586	<a href="#">PANELF3A/030UNVD84024/GWH</a>	30	120-277	0-10	840	3200	105	Standard
61587	<a href="#">PANELF3A/030UNVD85024/GWH</a>	30	120-277	0-10	850	3200	105	Standard
61588	<a href="#">PANELF3A/040UNVD83524/GWH</a>	40	120-277	0-10	835	4200	105	Standard
61589	<a href="#">PANELF3A/040UNVD84024/GWH</a>	40	120-277	0-10	840	4200	105	Standard
61590	<a href="#">PANELF3A/040UNVD85024/GWH</a>	40	120-277	0-10	850	4200	105	Standard

# ValueLED™ Panel Accessories / Notes

Item Number	Ordering Description	Wattage
60888	EMBB1A8WDC	Field installable emergency battery back-up unit
61682	ACCPANELF3AEMBB-BRIDGE2	Metal bridge for installing emergency battery back-up unit to 2x2 and 2x4 panels
61683	ACCPANELF3AEMBB-BRIDGE1	Metal bridge for installing emergency battery back-up unit to 1x4 panels

- The current Panels will be offered concurrently alongside the ValueLED™ Panels
- There is an active project to find a flange / surface mount kit compatible with the ValueLED™ Panel





# ValueLED™ Panel

## Nomenclature Review

---

### Ordering Guide

PANELF	3A	/	XXX	UNV	D	8	XX	/	XX	G	/	WH
Product Name	Generation		Wattage	Voltage	Dimming	CRI	Color Temp		Dimensions	Mounting		Color / Finish
PANELF =	3A		030 = 30 Watts	UNV =	D = 0-10V	8 = >80	35 = 3500K		14 = 1x4	G = Grid		WH = White
LED Panel			040 = 40 Watts	120-277V	dimming		40 = 4000K		22 = 2x2			
							50 = 5000K		24 = 2x4			

## ValueLED™ Panel

### Key Takeaways

---

- Back-lit, offering even and uniform lighting
- Junction box compliant with UL and NEC for through wiring
- DLC Listed to maximize rebate opportunities
- EM ready – compatible with the SYLVANIA field installable emergency battery back-up unit (see Accessories for further details)

