

PVC Coated Elbows

Catalog Number: EL-125X90
UPC: 736953002951

Description

1-1/4X90 PVC Coated Standard Elbow

Factory-bent PVC coated elbows are more accurate, quicker to install and more economical because they eliminate field bending time and waste of material. Electrical continuity is maintained across assembled joints.

Application

- Factory-bent for accurate, quicker to install and eliminates costly field bending and waste of material
- Factory-bent for accurate, quicker to install and eliminates costly field bending and waste of material

Features

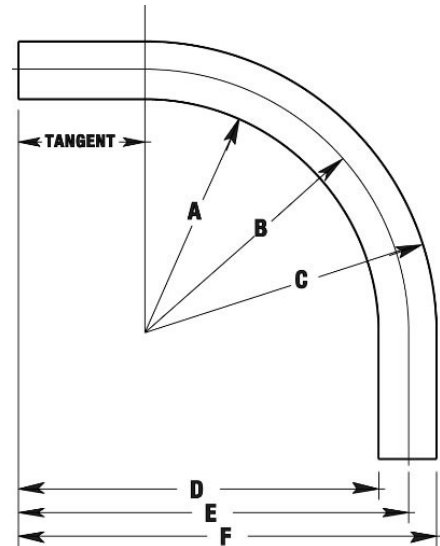
- 12 trade sizes from 1/2" through 6"
- 2 mil green urethane interior coating
- 40 mil gray PVC exterior coating
- Available in standard sizes 90°, 60°, 45°, 30° bends
- Color-coded thread protector caps for quick identification of conduit size

General

Exterior Finish:	A nominal .040 inch (40 mil) gray PVC coating
Interior Finish:	A nominal .002 inch (2 mil) green urethane
Material:	STEEL
Thread Finish:	A green urethane coating over steel
Thread Protector Color:	Red

Dimensions

Metric Size Designators	35
Nipple Length (Inches)	17-3/4
Diameter - External (Inches)	1.74
Diameter - Internal (Inches)	1.394
Radius A (Inches)	6.38
Radius B - Standard (Inches)	7.25
Radius C (Inches)	8.12
Offset D (Inches)	9.567
Offset E (Inches)	10.437
Offset F (Inches)	11.307
Tangent (Inches)	3.187



PVC Coated Elbows

Catalog Number: EL-125X90

UPC: 736953002951

Technical / Specification Documents

Specification Guide (1995 Master) *AVAILABLE ON WEBSITE*

Specification Guide (2004 Master) *AVAILABLE ON WEBSITE*

Installer Certification and Tools *AVAILABLE ON WEBSITE*

Chemical Resistance Charts *AVAILABLE ON WEBSITE*

Performance Specifications *AVAILABLE ON WEBSITE*

Standards

UL 6: E2314

CSA Certified: C22.2 No. 45

Notes

Both PVC and zinc coatings have been investigated as primary protection against corrosion.

Restricted for use with threaded fittings only.
