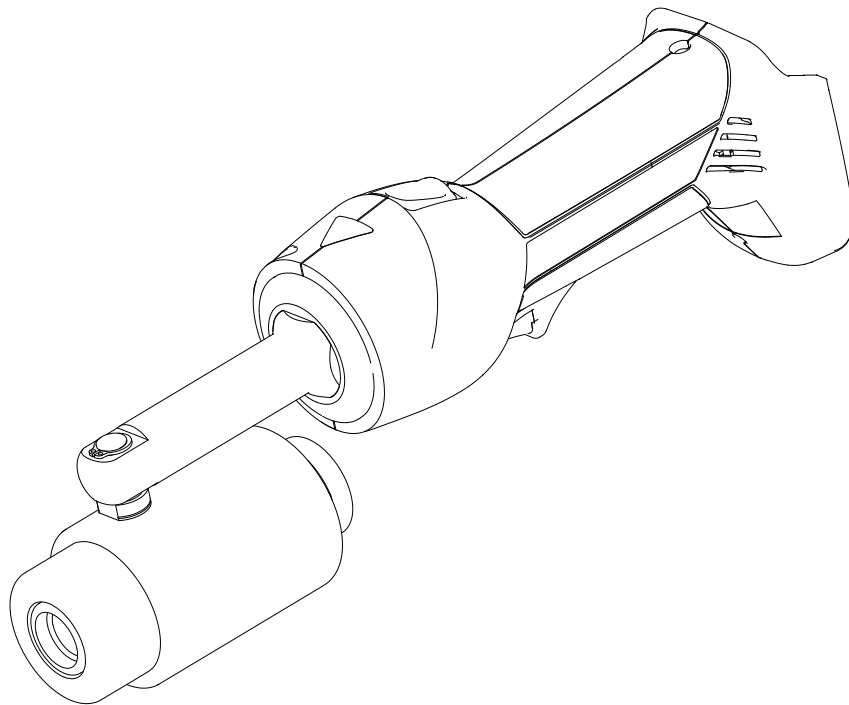


# INSTRUCTION MANUAL



Español..... 13  
Français..... 25

## **Gator<sup>®</sup> LS50L2 Battery-Hydraulic Knockout Driver**



**Read and understand** all of the instructions and safety information in this manual before operating or servicing this tool.

Register this product at [www.greenlee.com](http://www.greenlee.com)

## Table of Contents

Description .....	2
Safety .....	2
Purpose of this Manual .....	2
Important Safety Information .....	3–5
Identification and Illustration .....	6
Specifications .....	6
Setup and Operation .....	7–8
Capacity .....	9
Maintenance .....	10
Troubleshooting .....	11

## Description

The Greenlee LS50L2 Battery-Hydraulic Knockout Driver is a hand-held, self-contained knockout driver intended to be used with Greenlee punches, dies, and drawstuds for punching holes through mild steel, stainless steel, brass, copper, aluminum, fiberglass, and plastics.

The LS50L2 is designed to be used with the following Greenlee accessories:

- Standard punches, dies, and drawstuds
- Slug-Buster® punches, dies, and drawstuds
- Slug-Splitter® punches, dies, and drawstuds
- SPEED PUNCH® Knockout System
- Electronic connector panel punches
- Special shape punches, dies, and drawstuds (“D”, Double “D”, Key, Square, Rectangular, and Oiltight with notches)

Standard and Slug-Buster, Electronic Connector Panel Punches, and special shape punches can punch holes through mild steel, brass, copper, aluminum, fiberglass, and plastics, with limited stainless steel capability. Slug-Splitter punches, dies, and drawstuds are capable of punching through all of these materials and are optimized for stainless steel. Refer to the “Capacity” section in this manual for detailed information on maximum driver rating. Do not exceed the rated capacity of the punch or driver.

This tool is protected by U.S. Patent No. 6,276, 186, 6,401,515, 7,086,979, and 7,254,982 and patents pending.

## Safety

Safety is essential in the use and maintenance of Greenlee tools and equipment. This manual and any markings on the tool provide information for avoiding hazards and unsafe practices related to the use of this tool. Observe all of the safety information provided.

## Purpose of this Manual

This manual is intended to familiarize all personnel with the safe operation and maintenance procedures for the following Greenlee tool:

LS50L2 Battery-Hydraulic Knockout Driver

Keep this manual available to all personnel.

Replacement manuals are available upon request at no charge at [www.greenlee.com](http://www.greenlee.com).



**Do not discard this product or throw away!**

For recycling information, go to [www.greenlee.com](http://www.greenlee.com).

All specifications are nominal and may change as design improvements occur. Greenlee Tools, Inc. shall not be liable for damages resulting from misapplication or misuse of its products.

GATOR, Kwik-Stepper, Slug-Buster, Slug-Splitter and SPEED PUNCH are registered trademarks of Greenlee Tools, Inc.

# KEEP THIS MANUAL

## IMPORTANT SAFETY INFORMATION



### SAFETY ALERT SYMBOL

This symbol is used to call your attention to hazards or unsafe practices which could result in an injury or property damage. The signal word, defined below, indicates the severity of the hazard. The message after the signal word provides information for preventing or avoiding the hazard.

#### ⚠️ DANGER

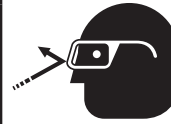
Immediate hazards which, if not avoided, **WILL** result in severe injury or death.

#### ⚠️ WARNING

Hazards which, if not avoided, **COULD** result in severe injury or death.

#### ⚠️ CAUTION

Hazards or unsafe practices which, if not avoided, **MAY** result in injury or property damage.



#### ⚠️ WARNING

Wear eye protection when operating or servicing this tool.

Failure to wear eye protection could result in serious eye injury from flying debris or hydraulic oil.



#### ⚠️ WARNING

Skin injection hazard:

Do not use hands to check for oil leaks. Oil under pressure easily punctures skin. If injured, seek medical attention immediately to remove oil.

Failure to observe this warning could result in serious injury, gangrene, or death.



#### ⚠️ WARNING

Do not use solvents or flammable liquids to clean the tool body. Solvents or flammable liquids could ignite and cause serious injury or property damage.



#### ⚠️ WARNING

Read and understand all of the instructions and safety information in this manual before operating or servicing this tool.

Failure to observe this warning could result in severe injury or death.



#### ⚠️ WARNING

Electric shock hazard:

This tool is not insulated. When using this unit on or near energized electrical lines, use proper personal protective equipment.

Failure to observe this warning could result in severe injury or death.



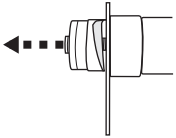
#### ⚠️ WARNING

Pinch points:

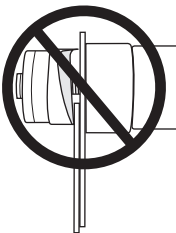
- Remove battery before changing dies, adapters, or jaws.
- Keep hands away from the tool head when punching.

Failure to observe these warnings could result in severe injury or death.

## IMPORTANT SAFETY INFORMATION (cont'd)

	<p style="text-align: center;"><b>⚠ WARNING</b></p> <p>A component failure could throw broken parts.</p> <ul style="list-style-type: none"> <li>• Do not allow anyone to stand in front of the punch or behind the hydraulic ram.</li> <li>• Close access doors or covers on any equipment that is in line with the punch or ram.</li> </ul> <p>Failure to observe this warning could result in severe injury or death.</p>
---	---

<p><b>⚠ WARNING</b></p>
<ul style="list-style-type: none"> <li>• Inspect tool for wear or damage. Replace any worn, damaged, or missing components with Greenlee replacement parts. A damaged or improperly assembled tool can break and strike nearby personnel with sufficient force to cause severe injury or death.</li> <li>• Inspect the punch, die, and drawstud for wear or damage. Replace any worn or damaged items with Greenlee replacement parts. Replace any punches that have dull cutting surfaces.</li> </ul>

	<p style="text-align: center;"><b>⚠ WARNING</b></p> <p>Do not attempt to punch a hole through two or more layers of material. This will bend or break the drawstud, and could throw parts with great force.</p> <p>Failure to observe this warning could result in severe injury or death.</p>
--	--

<p><b>⚠ WARNING</b></p>
<p>Do not exceed the rated capacity of this tool. Exceeding the rated capacity could cause a component failure, which could throw broken parts with great force.</p> <p>Failure to observe this warning could result in severe injury or death.</p>

<p><b>⚠ WARNING</b></p>
<p>Set up the tool properly. An improper setup could cause a component to fail and strike nearby personnel with great force.</p> <ul style="list-style-type: none"> <li>• <i>Use only Greenlee punches, dies, and drawstuds. Other manufacturers' components might not withstand the forces generated by this punch driver.</i></li> <li>• <b>Manual Punch Setup:</b> The punch must be threaded completely onto the drawstud. All of the punch threads must be engaged by the drawstud threads. Incomplete assembly could cause a component failure.</li> <li>• <b>Hydraulic Punch Setup:</b> The drawstud must be threaded completely into the driver head. The punch must be threaded completely onto the drawstud. All of the punch threads must be engaged by the drawstud threads. Incomplete assembly could cause a component failure.</li> <li>• <b>SPEED PUNCH Setup:</b> The drawstud must be threaded completely into the driver head. The SPEED LOCK must fully engage and completely close on the drawstud. Incomplete assembly could cause a component failure.</li> </ul> <p>Failure to observe these warnings could result in severe injury or death.</p>

<p><b>⚠ WARNING</b></p>
<p>Do not dispose of batteries in a fire. They will vent fumes and may explode.</p> <p>Failure to observe this warning could result in severe injury from harmful fumes or burns from flying debris.</p>

<p><b>⚠ WARNING</b></p>
<p>Use this tool for the manufacturer's intended purpose only. Use other than that which is described in this manual can result in injury or property damage.</p>

<p><b>⚠ WARNING</b></p>
<p>Ensure the punch cycle is stopped after a hole is made. Failure to do so could cause a part collision which could throw broken parts.</p> <p>Failure to observe this warning could result in severe injury or death.</p>

**IMPORTANT SAFETY INFORMATION (cont'd)****⚠ CAUTION**

The punch driver will fall free when the punch is complete.

- Support the weight of the tool when punching.
- Do not allow anyone to stand beneath an overhead punch.

Failure to observe this warning may result in injury or property damage.

**⚠ CAUTION**

- Do not use this tool for continuous use. After 30 to 40 cycles, allow the tool to cool for 15 minutes.
- Do not secure this tool in a vise. This tool is designed for hand-held operation.
- This tool may be used in damp or wet environments; however, air-drying is recommended before use if the tool becomes soaked. Damage may result when the tool is operated prior to thorough drying when electrical components are soaked.
- Use this tool for the manufacturer's intended purpose only.

Failure to observe these precautions may result in injury or property damage.

**⚠ CAUTION**

Do not allow anything to contact the battery terminals.

- Do not immerse the batteries in liquid. Liquid may create a short circuit and damage the battery. If batteries are immersed, contact your service center for proper handling.
- Do not place the battery into a pocket, tool pouch, or tool box with conductive objects. Conductive objects may create a short circuit and damage the battery.
- Do not place a battery on moist ground or grass. Moisture may create a short circuit and damage the battery.

Failure to observe these precautions may result in injury or property damage.

**⚠ CAUTION**

- Do not store the battery at more than 122 °F (50 °C) or less than -4 °F (-20 °C). Damage to the battery can result.
- Do not use another manufacturer's charger. Other manufacturers' chargers may overcharge and damage the battery.
- Do not attempt to open the battery. It contains no user-serviceable parts.

Failure to observe these precautions may result in injury or property damage.

**⚠ CAUTION**

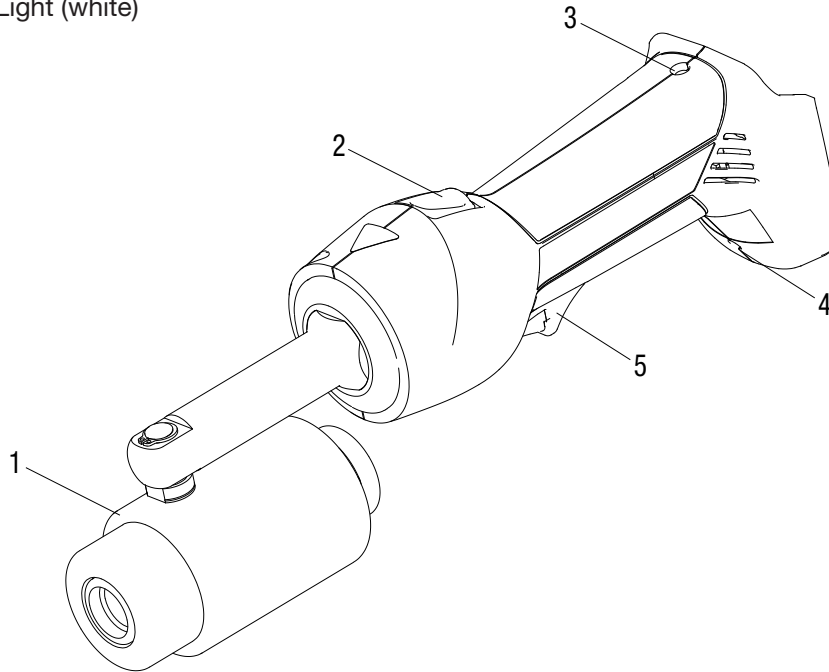
Do not perform any service or maintenance other than as described in this manual. Injury or damage to the tool may result.

Failure to observe this precaution may result in injury and property damage.

*Note: Keep all decals clean and legible, and replace when necessary.*

**Identification and Illustration**

1. Punching Head
2. Return Button
3. LED Indicator (red)
4. LED Work Light (white)
5. Trigger



**Specifications**

Knockout Driver (without 18V, 3.0 Ah lithium-ion battery)

Length.....	14.3" (363.2 mm)
Width .....	2.8" (71.5 mm)
Depth.....	4.3" (108.3 mm)
Weight.....	3.6 lb (1.6 kg)
Force.....	7 tons (63 kN)
Hydraulic Oil .....	52057878 biodegradable hydraulic fluid
Recommended Operating Temperature Range.....	5 °F to 122 °F (-15 °C to 50°C)
Battery Charger.....	Read the instructions supplied with the battery charger

52047087	120 VAC corded adapter	52054992	Li (18 V) to NiCd, NiMH (12 V) charger adapter
52047088	230 VAC corded adapter	52049201	120 VAC, 18 V charger
52049190	18 V, 2.0 Ah lithium-ion battery	52049202	230 VAC, 18 V charger
52049189	18 V, 3.0 Ah lithium-ion battery	52049204	12 VDC, 18 V charger
52070024	18 V, 4.0 Ah lithium-ion battery		

## Setup and Operation

### Punching

*Note: The LS50L2 is equipped with a microprocessor to control the operation. It automatically shuts off if punching does not begin within 1 second after pulling the trigger. This guarantees the entire stroke is available for punching and saves power.*

1. Refer to the hydraulic punch instruction manual for proper punch, die, and drawstud selection and setup.
2. Select the appropriate punch, die, and drawstud for the desired hole size.
3. Determine and mark the exact location for the hole. Use a Greenlee Kwik-Stepper® step bit to drill a pilot hole slightly larger than the drawstud being used.
4. Depress the Return button to reset the ram to the starting position.
5. Thread the appropriate drawstud completely into the ram in the punching head.
6. Slide the corresponding die onto the drawstud. The open end of the die should face away from the punching head.
7. Insert the drawstud through the pilot hole in the material being punched.
8. Thread the punch (cutting edge facing the material) onto the drawstud until the punch assembly is tight on the material surface.

*Note:*

- *All of the punch threads must be engaged with the drawstud threads. If any punch threads are not engaged, reassemble the setup.*
  - *For SPEED PUNCH®, slide the punch onto the drawstud (cutting edge facing the material) and secure the SPEED LOCK to the drawstud.*
9. Press and hold the trigger to complete the punch cycle. The LS50L2 driver will automatically stop when it senses the punch is completely through the material.
  10. Unscrew the punch from the drawstud. Slide the die

## IMPORTANT

Release the trigger when the punch completes the hole. The LS50L2 may not sense when a hole is made in sheets thinner than 18 ga (1 mm) and soft materials (such as plastic, etc.).

off the drawstud and remove any slugs from the die.

*Note: For SPEED PUNCH®, remove the SPEED LOCK. Slide the punch off the drawstud; then slide the die off the drawstud and remove any slugs from the die*

### Charging the Battery

Read the instructions supplied with the battery charger.

### LED Work Light (white)

This LED automatically turns on when the trigger is pulled. It remains on for 10 seconds after the trigger is released.

### LED Indicator (red)

This tool is equipped with a special circuit board incorporating several important features to inform the user about the current status of the unit. The LED signals in the following cases:

What happens	Signal	What it means
Flashing light for 2 seconds	● ●	Battery is inserted in tool
Constant light for 20 seconds at end of cycle	■	Battery charge is below 17 V at beginning of cycle
Tool will <b>not</b> start, and constant light for 20 seconds when trigger is released	■	Battery charge is below 16 V at beginning of cycle
Tool will stop, and constant light for 20 seconds after trigger is released	■	Battery voltage drops below 13 V during cycle
Tool will stop, and flashing light for 20 seconds when trigger is released	● ● ● ●	Motor current exceeds 20 A during cycle Circuit has become too hot

**Setup and Operation (cont'd)**
**⚠ WARNING**

- Inspect tool for wear or damage. Replace any worn, damaged, or missing components with Greenlee replacement parts. A damaged or improperly assembled tool can break and strike nearby personnel with sufficient force to cause severe injury or death.
- Inspect the punch, die, and drawstud for wear or damage. Replace any worn or damaged items with Greenlee replacement parts. Replace any punches that have dull cutting surfaces.

**⚠ CAUTION**

- Do not use this tool for continuous use. After 30 to 40 cycles, allow the tool to cool for 15 minutes.
- Do not secure this tool in a vise. This tool is designed for hand-held operation.
- This tool may be used in damp or wet environments; however, air-drying is recommended before use if the tool becomes soaked. Damage may result when the tool is operated prior to thorough drying when electrical components are soaked.
- Use this tool for the manufacturer's intended purpose only.

Failure to observe these precautions may result in injury or property damage.


**⚠ WARNING**

Electric shock hazard:  
This tool is not insulated. When using this unit on or near energized electrical lines, use proper personal protective equipment.  
Failure to observe this warning could result in severe injury or death.


**⚠ WARNING**

Wear eye protection when operating or servicing this tool.  
Failure to wear eye protection could result in serious eye injury from flying debris or hydraulic oil.


**⚠ WARNING**

Pinch points:

- Remove battery before changing dies, adapters, or jaws.
- Keep hands away from the tool head when punching.

Failure to observe these warnings could result in severe injury or death.



## Capacity

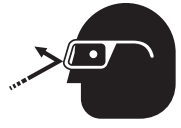
### LS50L2 Battery-Hydraulic Knockout Driver


<b>STAINLESS STEEL</b>	
<b>Slug-Splitter and Large 3-Point Punches</b>	
<b>Pipe and Conduit Size</b>	<b>Maximum Driver Rating</b>
1/2" to 1-1/4"	10 ga (0.134", 3mm)
1-1/2" to 2"	12 ga (0.104", 2.5mm)
2-1/2" to 4"	N/A


<b>MILD STEEL</b>	
<b>Standard and Slug-Buster Punches</b>	
<b>Pipe and Conduit Size</b>	<b>Maximum Driver Rating</b>
1/2" to 3"	10 ga (0.134", 3mm)
3-1/2" to 4"	12 ga (0.104", 2.5mm)


*Note: Please consult the hydraulic punch instruction manual for punch, drawstud, and die selection.*

**Maintenance**

	<b>⚠ WARNING</b>
	<p>Wear eye protection when operating or servicing this tool.</p> <p>Failure to wear eye protection could result in serious eye injury from flying debris or hydraulic oil.</p>

	<b>⚠ WARNING</b>
	<p>Skin injection hazard:</p> <p>Do not use hands to check for oil leaks. Oil under pressure easily punctures skin. If injured, seek medical attention immediately to remove oil.</p> <p>Failure to observe this warning could result in serious injury, gangrene, or death.</p>

	<b>⚠ WARNING</b>
	<p>Do not use solvents or flammable liquids to clean the tool body. Solvents or flammable liquids could ignite and cause serious injury or property damage.</p>

	<b>⚠ WARNING</b>
	<p>Pinch points:</p> <ul style="list-style-type: none"> <li>• Remove battery before changing dies, adapters, or jaws.</li> <li>• Keep hands away from the tool head when punching.</li> </ul> <p>Failure to observe these warnings could result in severe injury or death.</p>

<b>IMPORTANT</b>
<p>Relief valve adjustments must be done by an authorized service center.</p>

**Daily**
*Before use:*

1. Inspect the tool for wear or damage, such as cracks, gouges, or chips.
2. Inspect the tool for damage or leaks.
3. Inspect the rotation of the head assembly. Fully return the ram. The head should rotate freely. If damage is detected, send the tool to a Greenlee Authorized Service Center for inspection.

*After use:*

1. Use a damp cloth and mild detergent to clean the housing. Allow the housing to dry.
2. Fully return the ram. Place the tool in the carrying case and store in a cool, dry place.
3. If necessary, recharge the batteries. Refer to the instructions supplied with the battery charger.

## Troubleshooting

### Before You Begin

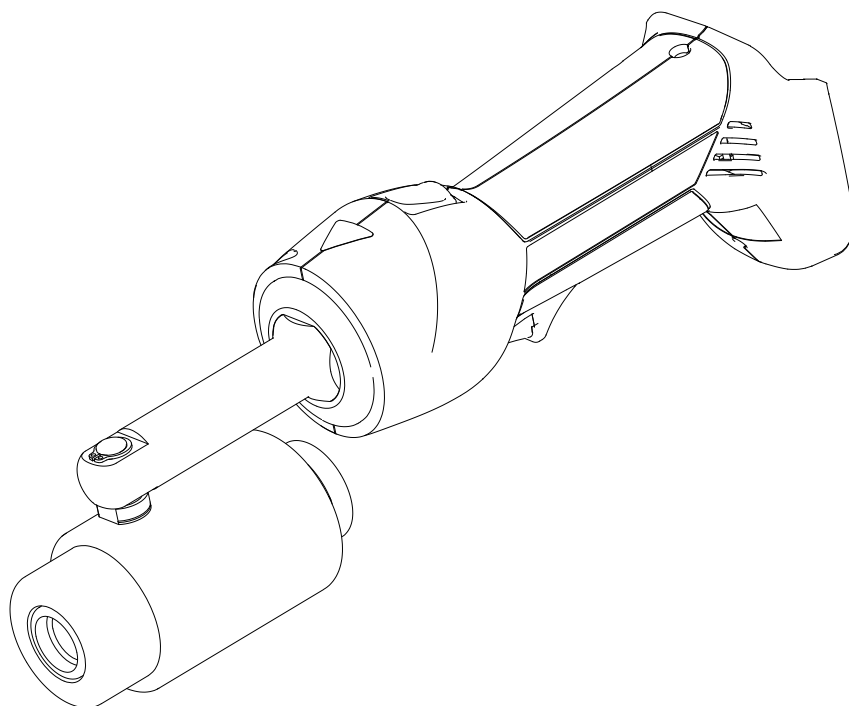
1. Make sure that the battery is charged. Recheck the battery after several minutes to make sure the battery is holding its charge.
2. Use a **nonflammable** contact cleaner or pencil eraser to clean the electrical contacts on the battery and tool.
3. Reinstall the battery and check the tool again.

<b>Problem</b>	<b>Possible Cause</b>	<b>Probable Remedy</b>
Tool is inoperative.	Dirt, contaminants, etc. in ram area of tool.	Clean tool.
	Tool battery contacts damaged.	Reform contacts.
	Tool components worn or damaged.	Return tool to a Greenlee Authorized Service Center.
Motor is inoperative.	Low or uncharged battery.	Try known charged battery. Inoperative battery may be discharged or may have reached life expectancy.
	Broken switch components.	Return tool to a Greenlee Authorized Service Center.
Motor runs but tool will not complete a cycle.	Oil level low.	Return tool to a Greenlee Authorized Service Center.
	Air in hydraulic system.	Pull trigger and hold return button simultaneously. Run for approximately 10 seconds, and then attempt to punch. If unsuccessful, return tool to a Greenlee Authorized Service Center.
	Cold oil.	Pull trigger and hold return button simultaneously to warm oil. Store tool in warm area.
Dies stop during operation.	Oil level low.	Return tool to a Greenlee Authorized Service Center.
	Air in hydraulic system.	Pull trigger and hold return button simultaneously. Hold for approximately 10 seconds.
LED glows for 20 seconds.	Battery charge low.	Charge or replace battery.
Tool loses oil.	Damaged internal seal.	Return tool to a Greenlee Authorized Service Center.

*Note: For Warranty Service or Repair, contact Greenlee customer service at 800-435-0786.*



# MANUAL DE INSTRUCCIONES



## Llave de sacabocados hidráulica a batería LS50L2 Gator®



**Lea y comprenda** todas las instrucciones y la información de seguridad de este manual antes de usar esta herramienta o realizar su mantenimiento.

Registre este producto en [www.greenlee.com](http://www.greenlee.com)

## Índice

Descripción .....	14
Acerca de la seguridad.....	14
Objetivo de este manual.....	14
Información importante de seguridad .....	15–17
Identificación e ilustración.....	18
Especificaciones .....	18
Ajuste y operación.....	19–20
Capacidad .....	21
Mantenimiento.....	22
Resolución de problemas.....	23

## Descripción

La llave de sacabocados hidráulica a batería LS50L2 de Greenlee es un sacabocados portátil y autónomo para usar con los punzones, troqueles y machos sin recubrir de Greenlee para la perforación de orificios en acero dulce, acero inoxidable, latón, cobre, aluminio, fibra de vidrio y plástico.

El LS50L2 está diseñado para usarse con los siguientes accesorios de Greenlee

- Punzones, troqueles y machos sin recubrir estándares
- Punzones, troqueles y machos sin recubrir Slug-Buster®
- Punzones, troqueles y machos sin recubrir Slug-Splitter®
- Sistema de sacabocados SPEED PUNCH™
- Punzones para panel de conectores electrónicos
- Punzones, troqueles y machos sin recubrir con formas especiales (“D”, Doble “D”, Llave, Cuadrada, Rectangular y estanca al aceite con ranuras)

Los punzones de panel de conectores electrónicos estándares Slug-Buster y los punzones con formas especiales pueden realizar orificios a través de acero dulce, latón, cobre, aluminio, fibra de vidrio y plástico, con una capacidad limitada para el acero inoxidable. Los punzones, los troqueles y los machos sin recubrir Slug-Splitter pueden perforar todos estos materiales y están optimizados para el acero inoxidable. Consulte la sección “Capacidad” en este manual para obtener información detallada sobre la clasificación máxima de la herramienta. No supere la capacidad nominal del punzón o la llave.

Esta herramienta está protegida por la patente estadounidense No. 6,276,186, 6,401,515, 7,086,979, y 7,254,982 y py patentes pendientes.

## Acerca de la seguridad

La seguridad es esencial en el uso y el mantenimiento de herramientas y equipos de Greenlee. En este manual y en todas las inscripciones en la herramienta se ofrece la información necesaria para evitar riesgos y prácticas inseguras relacionadas con el uso de esta herramienta. Siga toda la información de seguridad proporcionada.

## Objetivo de este manual

El objetivo de este manual es que todo el personal conozca los procedimientos seguros de funcionamiento y mantenimiento de la siguiente herramienta de Greenlee:

Llave de sacabocados hidráulica a batería LS50L2

Tenga este manual a disposición de todo el personal.

Los manuales de reemplazo están disponibles a solicitud sin cargo alguno en [www.greenlee.com](http://www.greenlee.com).



**¡No descarte este producto ni lo deseche!**

Para obtener información sobre reciclamiento, visite [www.greenlee.com](http://www.greenlee.com).

Todas las especificaciones son nominales y pueden cambiar a medida que se produzcan mejoras en el diseño. Greenlee Tools, Inc. no se responsabilizará de daños debidos al mal manejo o al uso indebido de sus productos.

GATOR, Kwik-Stepper, Slug-Buster, Slug-Splitter y SPEED PUNCH son marcas comerciales registradas de Greenlee Tools, Inc.

**CONSERVE ESTE MANUAL**

## INFORMACIÓN IMPORTANTE DE SEGURIDAD



### SÍMBOLO DE ALERTA DE SEGURIDAD

Este símbolo se utiliza para dirigir su atención a los peligros o prácticas inseguras que pueden resultar en heridas o daños a la propiedad. La palabra del aviso, que se define a continuación, indica la gravedad del peligro. El mensaje después de la palabra del aviso proporciona información para prevenir o evitar el peligro.

#### ⚠ PELIGRO

Peligros inmediatos que, de no evitarse, **PROVOCARÁN** heridas graves o la muerte.

#### ⚠ ADVERTENCIA

Peligros que, de no evitarse, **PUEDEN** provocar heridas graves o la muerte.

#### ⚠ ATENCIÓN

Peligros o prácticas inseguras que, de no evitarse, **QUIZÁ** provoquen heridas o daños a la propiedad.



#### ⚠ ADVERTENCIA

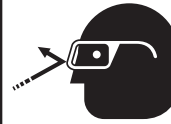
Lea y comprenda todas las instrucciones y la información de seguridad de este manual antes de usar esta herramienta o realizar su mantenimiento.

Si no se respeta esta advertencia, podrían producirse heridas graves o la muerte.



#### ⚠ ADVERTENCIA

**Peligro de choque eléctrico:**  
Esta herramienta no está aislada. Cuando utilice esta unidad sobre líneas eléctricas energizadas o cerca de estas, utilice equipo de protección personal adecuado.  
Si no se respeta esta advertencia, podrían producirse heridas graves o la muerte.



#### ⚠ ADVERTENCIA

Utilice protección para los ojos cuando opere o repare esta herramienta.

Si no se utilizan gafas de protección, podrían producirse lesiones graves en los ojos por los escombros voladores o por el aceite hidráulico.



#### ⚠ ADVERTENCIA

**Riesgo de inyección en la piel:**

No utilice las manos para revisar si existen fugas de aceite. El aceite bajo presión perfora fácilmente la piel. Si se lesiona, busque atención médica inmediatamente para retirar el aceite.

Si no se respeta esta advertencia, podrían producirse lesiones graves, gangrena o la muerte.



#### ⚠ ADVERTENCIA

No utilice solventes ni líquidos inflamables para limpiar la carcasa de la herramienta. Los solventes y los líquidos inflamables se podrían prender fuego y producir lesiones graves o daños a la propiedad.



#### ⚠ ADVERTENCIA

**Puntos de enganche:**

- Retire la batería antes de cambiar los troqueles, los adaptadores o las mordazas.
- Mantenga las manos alejadas del cabezal de la herramienta cuando realice el punzonado.

Si no se respetan estas advertencias podrían producirse heridas graves o la muerte.

# INFORMACIÓN IMPORTANTE DE SEGURIDAD (continuación)

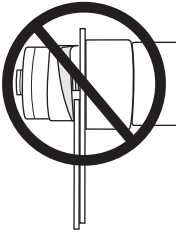


**⚠ ADVERTENCIA**

La falla de un componente podría lanzar piezas rotas.

- No permita que nadie se coloque en frente de la punzonadora ni detrás del pistón hidráulico.
- Cierre las puertas y las cubiertas de acceso de todos los equipos que estén en línea con la punzonadora o con el pistón.

Si no se respeta esta advertencia, podrían producirse heridas graves o la muerte.



**⚠ ADVERTENCIA**

No intente punzonar un orificio a través de dos o más capas de material. Esta acción doblará o quebrará el macho sin recubrir, y podría expulsar piezas con gran fuerza.

Si no se respeta esta advertencia, podrían producirse heridas graves o la muerte.

**⚠ ADVERTENCIA**

Ajuste la herramienta de manera adecuada. Un ajuste inadecuado podría hacer que un componente falle y golpee al personal que se encuentra cerca con gran fuerza.

- Use solo punzones, troqueles y machos sin recubrir de Greenlee. Los componentes de otros fabricantes pueden no resistir las fuerzas generadas por este sacabocados.
- Instalación manual del punzón: el punzón debe estar enroscado completamente en el macho sin recubrir. Las roscas del macho sin recubrir deben estar en contacto con todas las roscas del punzón. El armado incompleto puede producir la falla de un componente.
- Instalación hidráulica del punzón: el macho sin recubrir debe estar enroscado completamente en el cabezal del punzón. el punzón debe estar enroscado completamente en el macho sin recubrir. Las roscas del macho sin recubrir deben estar en contacto con todas las roscas del punzón. El armado incompleto puede producir la falla de un componente.
- Configuración de SPEED PUNCH: el macho sin recubrir debe estar enroscado completamente en el cabezal del punzón. El SPEED LOCK debe estar completamente acoplado y cerrado en el macho sin recubrir. El armado incompleto puede producir la falla de un componente.

Si no se respetan estas advertencias podrían producirse heridas graves o la muerte.

**⚠ ADVERTENCIA**

- Inspeccione si la herramienta está gastada o dañada. Reemplace los componentes gastados, dañados o faltantes con repuestos de Greenlee. Una herramienta dañada o armada de manera incorrecta puede quebrarse y golpear al personal que se encuentra cerca con la fuerza suficiente para producir lesiones graves o la muerte.
- Inspeccione si el punzón, el troquel y el macho sin recubrir están gastados o dañados. Reemplace los elementos gastados o dañados con repuestos de Greenlee. Reemplace todos los punzones que tengan superficies de corte desafiladas.

**⚠ ADVERTENCIA**

No exceda la capacidad nominal de esta herramienta. Si se supera la capacidad nominal, podría provocarse la falla de un componente, que podría lanzar piezas rotas con gran fuerza.

Si no se respeta esta advertencia, podrían producirse heridas graves o la muerte.

**⚠ ADVERTENCIA**

No tire las baterías al fuego. Expulsarán vapores y pueden explotar.

Si no se respetan estas advertencias, podrían producirse lesiones graves por vapores dañinos o quemaduras de los escombros voladores.

**⚠ ADVERTENCIA**

Utilice esta herramienta solo para los fines previstos por el fabricante. La utilización en otros trabajos distintos a los descritos en este manual puede provocar lesiones o daños a la propiedad.

**⚠ ADVERTENCIA**

Asegúrese de que el ciclo del punzón se haya detenido después de hacer un orificio. Si esto no se hace podría causar la colisión de una pieza que podría lanzar piezas rotas.

Si no se respeta esta advertencia, podrían producirse heridas graves o la muerte.



## **INFORMACIÓN IMPORTANTE DE SEGURIDAD (continuación)**

### **⚠ ADVERTENCIA**

El punzón se separará y caerá cuando se termine de perforar el orificio.

- Apoye el peso de la herramienta cuando esté perforando.
- No permita que nadie se pare debajo de un sacabocados suspendido.

De no observarse esta advertencia pueden sufrirse graves lesiones o daños materiales.

### **⚠ ADVERTENCIA**

- No utilice esta herramienta para un uso continuo. Luego de 30 o 40 ciclos, deje enfriar la herramienta durante 15 minutos.
- No sujete esta herramienta en un tornillo de banco. Está diseñada para una operación portátil.
- Esta herramienta se puede usar en entornos húmedos o mojados. Sin embargo, si se moja la herramienta, se recomienda secarla con aire antes de usarla. La herramienta se puede dañar si se la usa antes de secarla completamente cuando los componentes eléctricos están mojados.
- Utilice esta herramienta solo para los fines previstos por el fabricante.

Si no toma estas precauciones puede sufrir lesiones o dañar la propiedad.

### **⚠ ADVERTENCIA**

No permita que nada entre en contacto con los terminales de la batería.

- No sumerja las baterías en líquido. El líquido podría originar un cortocircuito y dañar la batería. En caso de que las baterías se sumerjan, comuníquese con el centro de servicios para una manipulación adecuada.
- No coloque la batería en un bolsillo, bolsa de herramientas o caja de herramientas que contengan objetos conductores. Los objetos conductores podrían originar un cortocircuito y dañar la batería.
- No coloque la batería sobre el suelo o césped húmedo. La humedad podría originar un cortocircuito y dañar la batería.

Si no toma estas precauciones puede sufrir lesiones o dañar la propiedad.

### **⚠ ADVERTENCIA**

- No almacene la batería a una temperatura superior a 122 °F (50 °C) ni inferior a -4 °F (-20 °C). La batería podría resultar dañada.
- No utilice un cargador de otro fabricante. Los cargadores de otros fabricantes podrían sobrecargar la batería y dañarla.
- No intente abrir la batería. No contiene piezas que el usuario pueda reparar.

Si no toma estas precauciones puede sufrir lesiones o dañar la propiedad.

### **⚠ ADVERTENCIA**

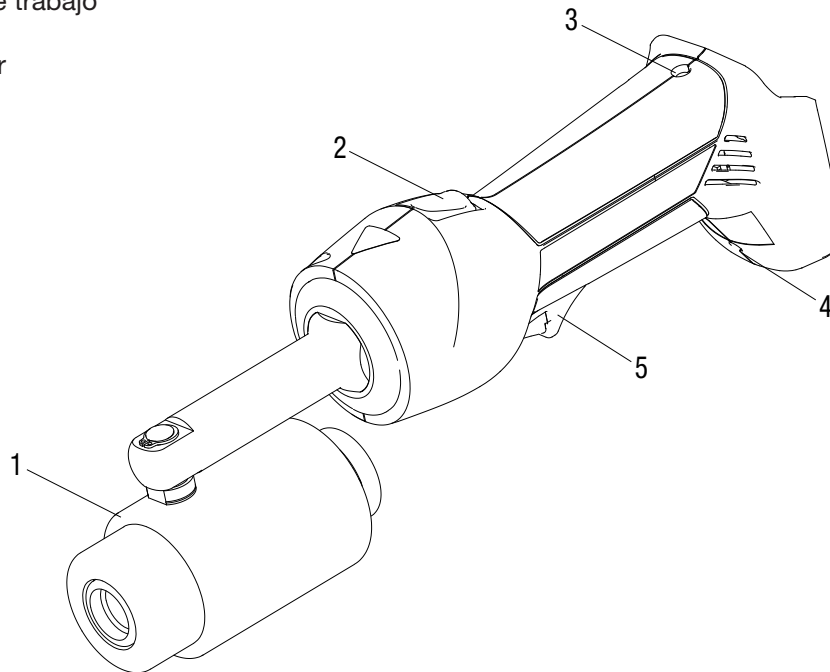
No realice ningún servicio ni trabajo de mantenimiento distinto a los que se describen en este manual. Se puede dañar o arruinar la herramienta.

Si no se respeta esta precaución, pueden producirse lesiones y daños a la propiedad.

*Nota: Mantenga todas las calcomanías limpias y legibles y reemplácelas cuando sea necesario.*

**Identificación e ilustración**

- 1. Cabezal de punzonado
- 2. Botón de regreso
- 3. Indicador LED (rojo)
- 4. Luz LED de trabajo (blanca)
- 5. Accionador



**Especificaciones**

Llave de sacabocados (sin batería de iones de litio de 3 Ah de 18 V)

- Largo ..... 14,3 in (363,2 mm)
- Ancho ..... 2,8 in (71,5 mm)
- Profundidad ..... 4,3 in (108,3 mm)
- Peso..... 3,6 lb (1,6 kg)
- Fuerza..... 7 ton (63 kN)
- Aceite hidráulico ..... líquido hidráulico 52057878 biodegradable
- Rango de temperatura recomendada de funcionamiento .... de 5 °F a 122 °F (de -15 °C a 50 °C)

Cargador de batería.....Lea las instrucciones suministradas con el cargador de batería

52047087	Adaptador de cable de 120 VCA	52054992	Adaptador del cargador de NiMH (12 V), Li (18 V) a NiCd
52047088	Adaptador de cable de 230 VCA	52049201	Cargador de 18 V, 120 VCA
52049190	Batería de iones de litio de 2,0 Ah de 18 V	52049202	Cargador de 18 V, 230 VCA
52049189	Batería de iones de litio de 3,0 Ah de 18 V	52049204	Cargador de 18 V, 12 VCC
52070024	Batería de iones de litio de 4,0 Ah de 18 V		

## Ajuste y operación

### Punzonado

*Nota: el LS50L2 cuenta con un microprocesador para controlar la operación. Se apaga automáticamente si el punzonado no comienza dentro del segundo posterior a que se haya tirado del accionador. Esto garantiza que la presión de golpe completa esté disponible para el punzonado y ahorra electricidad.*

1. Consulte el manual de instrucciones del punzón hidráulico para la selección e instalación correcta del punzón, troquel y macho sin recubrir.
2. Seleccione el punzón, el troquel y el macho sin recubrir para el tamaño de orificio que desea.
3. Determine y marque la ubicación exacta del orificio. Use una broca escalonada Kwik-Stepper® de Greenlee para taladrar un orificio piloto que sea apenas más grande que el macho sin recubrir que se utilizará.
4. Oprima el botón de regreso para restablecer el pistón a la posición inicial.
5. Enrosque completamente el macho sin recubrir adecuado en el pistón en el cabezal de punzonado.
6. Deslice el troquel correspondiente en el macho sin recubrir. El extremo abierto del troquel debe apuntar hacia afuera del cabezal de punzonado.
7. Inserte el macho sin recubrir a través del orificio piloto en el material que se va a perforar.
8. Enrosque el punzón (con el borde cortante hacia el material) en el macho sin recubrir hasta que el conjunto del punzón este ajustado en la superficie del material.

*Nota:*

- *Las roscas del macho sin recubrir deben estar en contacto con todas las roscas del punzón. Si alguna de las roscas del punzón no está acoplada, vuelva a armar el conjunto.*
  - *Para SPEED PUNCH®, deslice el punzón por el macho sin recubrir (con el borde cortante hacia el material) y asegure el SPEED LOCK al macho sin recubrir.*
9. Presione y mantenga presionado el gatillo para completar el ciclo de perforación. La llave LS50L2 se detendrá automáticamente cuando detecte que el punzón atravesó totalmente el material.
  10. Desenrosque el punzón del macho sin recubrir. Deslice y quite el troquel del macho sin recubrir y quite los tapones del troquel.

## IMPORTANTE

Libere el accionador cuando la punzonadora complete el orificio. La LS50L2 puede no detectar cuando se realice un orificio en láminas de un calibre inferior a 18 ga (1 mm) y en materiales blandos (como plástico, etc.).

*Nota: para SPEED PUNCH®, retire el SPEED LOCK. Deslice y quite el punzón del macho sin recubrir; luego, deslice el troquel y quítelo del macho sin recubrir y quite los tapones del troquel.*

### Carga de la batería

Lea las instrucciones suministradas con el cargador de batería.

### Luz LED de trabajo (blanca)

Este LED se enciende automáticamente cuando se tira del accionador. Permanece encendido durante 10 segundos luego de que se libera el accionador.

### Indicador LED (rojo)

Esta herramienta tiene una placa de circuito especial que cuenta con muchas características importantes para informar al usuario acerca del estado actual de la unidad. El LED se enciende en los siguientes casos:

Qué sucede	Señal	Qué significa
La luz destella durante 2 segundos	● ●	La batería está colocada en la herramienta
Luz constante durante 20 segundos al finalizar el ciclo	■	La carga de la batería está por debajo de 17 V al inicio del ciclo
La herramienta <b>no</b> arrancará, y la luz permanecerá encendida durante 20 segundos cuando se libere el accionador.	■	La carga de la batería está por debajo de 16 V al inicio del ciclo
La herramienta se detendrá, y la luz permanecerá encendida durante 20 segundos después de liberar el accionador.	■	La tensión de la batería cae por debajo de 13 V durante el ciclo
La herramienta se detendrá, y la luz destellará durante 20 segundos cuando se libere el accionador	● ● ● ●	La corriente del motor supera los 20 A durante el ciclo El circuito está demasiado caliente

**Ajuste y operación (continuación)**
**⚠ ADVERTENCIA**

- Inspeccione si la herramienta está gastada o dañada. Reemplace los componentes gastados, dañados o faltantes con repuestos de Greenlee. Una herramienta dañada o armada de manera incorrecta puede quebrarse y golpear al personal que se encuentra cerca con la fuerza suficiente para producir lesiones graves o la muerte.
- Inspeccione si el punzón, el troquel y el macho sin recubrir están gastados o dañados. Reemplace los elementos gastados o dañados con repuestos de Greenlee. Reemplace todos los punzones que tengan superficies de corte desafiladas.

**⚠ ATENCIÓN**

- No utilice esta herramienta para un uso continuo. Luego de 30 o 40 ciclos, deje enfriar la herramienta durante 15 minutos.
- No sujete esta herramienta en un tornillo de banco. Está diseñada para una operación portátil.
- Esta herramienta se puede usar en entornos húmedos o mojados. Sin embargo, si se moja la herramienta, se recomienda secarla con aire antes de usarla. La herramienta se puede dañar si se la usa antes de secarla completamente cuando los componentes eléctricos están mojados.
- Utilice esta herramienta solo para los fines previstos por el fabricante.

Si no toma estas precauciones puede sufrir lesiones o dañar la propiedad.

**⚠ ADVERTENCIA**


**Peligro de choque eléctrico:**  
Esta herramienta no está aislada. Cuando utilice esta unidad sobre líneas eléctricas energizadas o cerca de estas, utilice equipo de protección personal adecuado. Si no se respeta esta advertencia, podrían producirse heridas graves o la muerte.

**⚠ ADVERTENCIA**


Utilice protección para los ojos cuando opere o repare esta herramienta. Si no se utilizan gafas de protección, podrían producirse lesiones graves en los ojos por los escombros voladores o por el aceite hidráulico.

**⚠ ADVERTENCIA**


**Puntos de enganche:**

- Retire la batería antes de cambiar los troqueles, los adaptadores o las mordazas.
- Mantenga las manos alejadas del cabezal de la herramienta cuando realice el punzonado.

Si no se respetan estas advertencias podrían producirse heridas graves o la muerte.

## Capacidad

### Llave de sacabocados hidráulica a batería LS50L2


<b>ACERO INOXIDABLE</b>	
<b>Punzones de tres puntos grandes y Slug-Splitter</b>	
<b>Medida del conducto y del tubo</b>	<b>Clasificación máxima de la herramienta</b>
1/2 in a 1-1/4 in	10 ga (0,134 in, 3 mm)
1-1/2 in a 2 in	12 ga (0,104 in, 2,5 mm)
2-1/2 in a 4 in	N/C

<b>ACERO DULCE</b>	
<b>Punzones Slug-Buster y estándar</b>	
<b>Medida del conducto y del tubo</b>	<b>Clasificación máxima de la herramienta</b>
1/2 in a 3 in	10 ga (0,134 in, 3 mm)
3-1/2 in a 4 in	12 ga (0,104 in, 2,5 mm)


*Nota: Consulte el manual de instrucciones del punzón hidráulico para la selección del punzón, troquel y macho sin recubrir.*

**Mantenimiento**

	<b>⚠ ADVERTENCIA</b>
	<p>Utilice protección para los ojos cuando opere o repare esta herramienta.</p> <p>Si no se utilizan gafas de protección, podrían producirse lesiones graves en los ojos por los escombros voladores o por el aceite hidráulico.</p>

	<b>⚠ ADVERTENCIA</b>
	<p>Riesgo de inyección en la piel:</p> <p>No utilice las manos para revisar si existen fugas de aceite. El aceite bajo presión perfora fácilmente la piel. Si se lesiona, busque atención médica inmediatamente para retirar el aceite.</p> <p>Si no se respeta esta advertencia, podrían producirse lesiones graves, gangrena o la muerte.</p>

	<b>⚠ ADVERTENCIA</b>
	<p>No utilice solventes ni líquidos inflamables para limpiar la carcasa de la herramienta. Los solventes y los líquidos inflamables se podrían prender fuego y producir lesiones graves o daños a la propiedad.</p>

	<b>⚠ ADVERTENCIA</b>
	<p>Puntos de enganche:</p> <ul style="list-style-type: none"> <li>• Retire la batería antes de cambiar los troqueles, los adaptadores o las mordazas.</li> <li>• Mantenga las manos alejadas del cabezal de la herramienta cuando realice el punzonado.</li> </ul> <p>Si no se respetan estas advertencias podrían producirse heridas graves o la muerte.</p>

<b>IMPORTANTE</b>
<p>El centro de servicio autorizado debe realizar los ajustes de la válvula de alivio.</p>

**A diario**
*Antes de usar:*

1. Verifique si la herramienta está gastada o dañada, por ejemplo, si presenta hendiduras, fisuras o esquirlas.
2. Verifique si la herramienta está dañada o presenta fugas.
3. Verifique la rotación del conjunto del cabezal. Regrese totalmente el pistón. El cabezal debe girar libremente. Si se detecta un daño, envíe la herramienta a un centro de servicio autorizado de Greenlee para control.

*Después de usar:*

1. Utilice un paño húmedo y detergente suave para limpiar la carcasa. Deje secar la carcasa.
2. Regrese totalmente el pistón. Coloque la herramienta en el estuche portátil y almacene en un lugar fresco y seco.
3. Recargue las baterías, si es necesario. Consulte las instrucciones suministradas con el cargador de batería.

## Resolución de problemas

### Antes de comenzar

1. Asegúrese de que la batería esté cargada. Vuelva a controlar la batería luego de varios minutos para asegurarse de que mantiene la carga.
2. Utilice un borrador de lápiz o un limpiador de contacto **no inflamable** para limpiar los contactos eléctricos sobre la batería y la herramienta.
3. Vuelva a instalar la batería y controle la herramienta nuevamente.

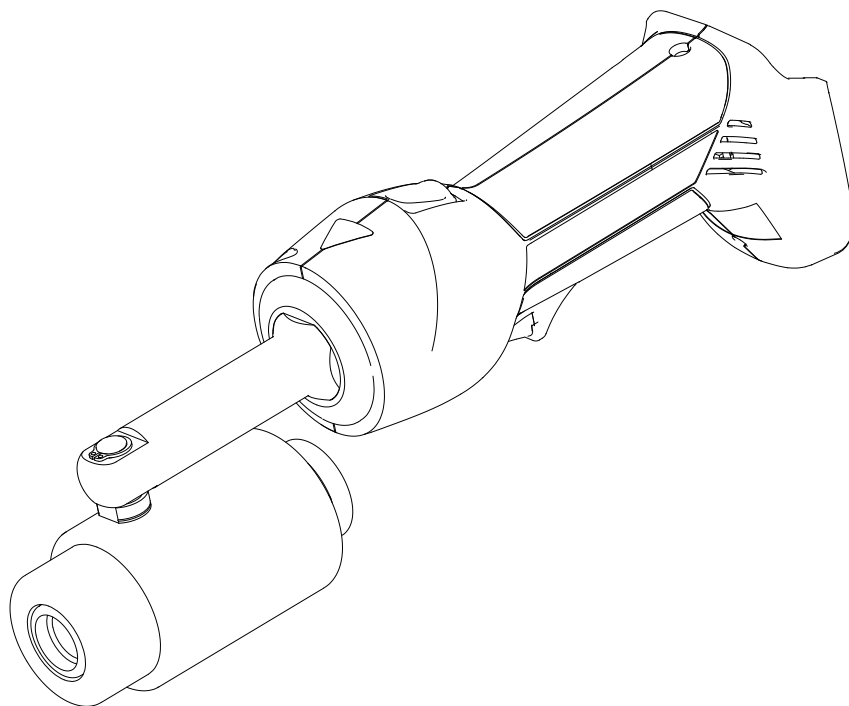
Problema	Posible causa	Posible solución
La herramienta no está operativa.	Suciedad, contaminantes, etc. en el área de pistón de la herramienta.	Limpie la herramienta.
	Los contactos de la batería de la herramienta están dañados.	Corrija los contactos.
	Los componentes de la herramienta están gastados o dañados.	Envíe la herramienta a un centro de servicio autorizado de Greenlee.
El motor no funciona.	Batería con poca carga o descargada.	Pruebe una batería que sepa que está cargada. La batería que no funciona puede estar descargada o puede haber alcanzado el límite de vida útil.
	Interruptores dañados.	Envíe la herramienta a un centro de servicio autorizado de Greenlee.
El motor funciona pero la herramienta no finaliza un ciclo.	Nivel de aceite bajo.	Envíe la herramienta a un centro de servicio autorizado de Greenlee.
	Aire en el sistema hidráulico.	Tire del accionador y presione el botón de regreso al mismo tiempo. Haga funcionar la herramienta durante aproximadamente 10 segundos y luego intente punzonar. Si no funciona, envíe la herramienta a un centro de servicio autorizado de Greenlee.
	Aceite frío.	Tire del accionador y presione el botón de regreso al mismo tiempo para calentar el aceite. Guarde la herramienta en un lugar cálido.
Los troqueles se detienen durante la operación.	Nivel de aceite bajo.	Envíe la herramienta a un centro de servicio autorizado de Greenlee.
	Aire en el sistema hidráulico.	Tire del accionador y presione el botón de regreso al mismo tiempo. Sostenga durante aproximadamente 10 segundos.
El LED se enciende durante 20 segundos.	Carga de batería baja.	Cargue o reemplace la batería.
La herramienta pierde aceite.	Sello interno dañado.	Envíe la herramienta a un centro de servicio autorizado de Greenlee.

*Nota: para reparaciones o servicio de garantía, póngase en contacto con el servicio al cliente de Greenlee al 800-435-0786.*





# MANUEL D'UTILISATION



## Poinçonneuse hydraulique à éjecteur sur batterie LS50L2 Gator<sup>MD</sup>



Veillez **lire** attentivement l'**ensemble** des instructions et des renseignements de sécurité contenus dans ce mode d'emploi avant d'utiliser ou d'entretenir cet outil.

Enregistrez ce produit sur [www.greenlee.com](http://www.greenlee.com)

## Table des matières

Description .....	26
Sécurité .....	26
Objectif de ce manuel .....	26
Renseignements de sécurité importants.....	27–29
Identification et illustration .....	30
Caractéristiques .....	30
Configuration et fonctionnement.....	31–32
Capacité .....	33
Entretien .....	34
Dépannage .....	35

## Description

L'Outil de poinçonneuse hydraulique à éjecteur sur batterie LS50L2 Gator de Greenlee est un Outil de poinçonnement autonome manuel, conçu pour être utilisé avec les poinçons, les matrices et les tiges de traction Greenlee et pour perforer l'acier doux, l'acier inoxydable, le laiton, le cuivre, l'aluminium, la fibre de verre et le plastique.

L'outil LS50L2 est conçu pour être utilisé avec les accessoires Greenlee suivants :

- Poinçons, matrices et tiges de traction standards
- Poinçons, matrices et tiges de traction Slug-Buster<sup>MD</sup>
- Poinçons, matrices et tiges de traction Slug-Splitter<sup>MD</sup>
- Système à emporte-pièces SPEED PUNCH<sup>MD</sup>
- Poinçons pour tableau de raccordement électronique
- Poinçons, matrices et tiges de traction de forme spéciale (en « D », double « D », à clavette, carrée, rectangulaire et étanche à l'huile avec encoches)

Les poinçons standards, Slug-Buster, pour tableau de raccordement électronique et de forme spéciale peuvent perforer l'acier doux, le laiton, le cuivre, l'aluminium, la fibre de verre et le plastique. Leur capacité à perforer l'acier inoxydable est limitée. Les poinçons, les matrices et les tiges de traction Slug-Splitter peuvent perforer tous ces matériaux et sont optimisés pour perforer l'acier inoxydable. Consultez la section « Capacité » de ce mode d'emploi pour obtenir des renseignements détaillés sur le calibre maximal de la poinçonneuse. Ne dépassez pas la capacité nominale du poinçon ou de la poinçonneuse.

Cet outil est protégé par le brevet américain n° 6,276, 186, 6,401,515, 7,086,979, et 7,254,982 et brevets en instance.

## Sécurité

Lors de l'utilisation et de l'entretien des outils et de l'équipement de Greenlee, la sécurité est essentielle. Les instructions de ce manuel et celles qui sont inscrites sur l'outil fournissent des informations qui permettent d'éviter les dangers et les manipulations dangereuses liés à l'utilisation de cet outil. Veuillez respecter toutes les informations de sécurité fournies.

## Objectif de ce manuel

Le présent manuel a pour objet de familiariser l'utilisateur avec les procédures préconisées pour une utilisation et un entretien sans danger de l'outil Greenlee suivant :

Poinçonneuse hydraulique à éjecteur LS50L2 sur batterie

Mette ce manuel à la disposition de tout le personnel.

Des manuels de rechange peuvent être obtenus gratuitement sur demande sur [www.greenlee.com](http://www.greenlee.com).



### Ne pas éliminer ni jeter ce produit!

Pour obtenir des renseignements sur le recyclage, rendez-vous sur le site [www.greenlee.com](http://www.greenlee.com).

Toutes les caractéristiques sont nominales et peuvent changer lorsque des améliorations sont apportées dans la conception. Greenlee Tools, Inc. décline toute responsabilité quant aux dommages résultant d'un emploi inadéquat ou d'un mésusage de ses produits.

GATOR, Kwik-Stepper, Slug-Buster, Slug-Splitter et SPEED PUNCH sont des marques déposées de Greenlee Tools, Inc.

# CONSERVER CE MANUEL

## RENSEIGNEMENTS DE SÉCURITÉ IMPORTANTS



### SYMBOLE D'AVERTISSEMENT

Ce symbole met en garde contre les risques ou les pratiques dangereuses pouvant causer des blessures ou des dommages matériels. Le mot indicateur, défini ci-dessous, indique la gravité du danger. Le message après le mot indicateur fournit de l'information qui permet de prévenir ou d'éviter le danger.

#### ⚠ DANGER

Danger immédiat qui, s'il n'est pas évité, ENTRAÎNERA des blessures graves voire mortelles.

#### ⚠ AVERTISSEMENT

Danger qui, s'il n'est pas évité, POURRAIT entraîner des blessures graves voire mortelles.

#### ⚠ ATTENTION

Danger ou pratiques dangereuses qui, à défaut d'être évités, SONT SUSCEPTIBLES d'entraîner des blessures ou des dommages matériels.



#### ⚠ AVERTISSEMENT

Veuillez lire et comprendre toutes les instructions et informations de sécurité de ce manuel avant d'utiliser cet outil ou d'effectuer son entretien.

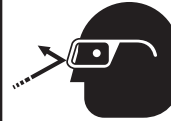
Le non-respect de cet avertissement peut entraîner des blessures graves, voire mortelles.



#### ⚠ AVERTISSEMENT

Danger de décharge électrique : Cet outil n'est pas isolé. Pour utiliser cet appareil sur des lignes électriques sous tension ou à proximité de celles-ci, porter l'équipement de protection individuelle approprié.

Le non-respect de cet avertissement peut entraîner des blessures graves, voire mortelles.



#### ⚠ AVERTISSEMENT

Veiller à porter des lunettes de protection lors de l'utilisation ou de l'entretien de cet outil.

L'absence de lunettes de protection pourrait entraîner des lésions oculaires graves causées par des projections de débris ou d'huile hydraulique.



#### ⚠ AVERTISSEMENT

Danger d'injection sous la peau :

Ne pas utiliser les mains pour contrôler l'étanchéité hydraulique. Le liquide sous pression peut aisément percer la peau. En cas de lésion, consulter immédiatement un médecin pour extraire le liquide hydraulique.

Le non-respect de cette mise en garde peut entraîner des blessures graves, la gangrène ou la mort.



#### ⚠ AVERTISSEMENT

Ne pas utiliser de solvant ni de liquide inflammable pour nettoyer le boîtier de l'outil. Les solvants et les liquides inflammables peuvent s'enflammer et provoquer des blessures ou des dégâts matériels graves.



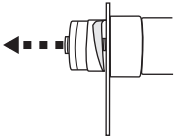
#### ⚠ AVERTISSEMENT

Points de pincement :

- Enlever la batterie avant de changer les matrices, adaptateurs ou mâchoires.
- garder les mains éloignées de la tête de l'outil en poinçonnant.

Le non-respect de ces avertissements peut entraîner des blessures graves, voire mortelles.

## RENSEIGNEMENTS DE SÉCURITÉ IMPORTANTS (suite)



**⚠ AVERTISSEMENT**

La défaillance d'un mécanisme peut provoquer la projection de pièces cassées.

- Ne permettre à personne de se tenir devant le poinçon ou derrière le vérin hydraulique.
- Fermer les panneaux d'accès ou les capots de toute machine placée dans l'alignement du poinçon ou le vérin.

Le non-respect de cet avertissement peut entraîner des blessures graves, voire mortelles.



**⚠ AVERTISSEMENT**

Ne pas tenter de poinçonner à travers deux épaisseurs de matériaux ou plus. Cela entraîne la flexion ou la rupture de la tige de traction et risque de projeter des pièces avec violence.

Le non-respect de cet avertissement peut entraîner des blessures graves, voire mortelles.

**⚠ AVERTISSEMENT**

Configurer l'outil comme il se doit. Une configuration incorrecte pourrait provoquer la défaillance d'un mécanisme de l'outil, qui risquerait alors de heurter violemment un membre du personnel se trouvant à proximité.

- *Utilisez exclusivement des poinçons, des matrices et des tiges de traction Greenlee. Les pièces d'autres fabricants ne résistent pas aux forces développées par l'Outil de poinçonnement.*
- Configuration du poinçon manuel : le poinçon doit être vissé complètement sur la tige de traction. Les filets de la tige de traction doivent être complètement enclenchés dans les filets du poinçon. Un assemblage incomplet peut provoquer une défaillance de l'outil.
- Configuration du poinçon hydraulique : la tige de traction doit être vissée complètement à l'intérieur de la tête de la poinçonneuse. Le poinçon doit être vissé complètement sur la tige de traction. Les filets de la tige de traction doivent être complètement enclenchés dans les filets du poinçon. Un assemblage incomplet peut provoquer une défaillance de l'outil.
- Configuration du poinçon SPEED PUNCH : la tige de traction doit être vissée complètement à l'intérieur de la tête de la poinçonneuse. Le dispositif de verrouillage SPEED LOCK doit s'enclencher entièrement sur la tige de traction et se fermer complètement. Un assemblage incomplet peut provoquer une défaillance de l'outil.

Le non-respect de ces avertissements peut entraîner des blessures graves, voire mortelles.

**⚠ AVERTISSEMENT**

- Inspecter l'outil pour s'assurer qu'il ne présente ni signes d'usure ni dommages. Remplacer tout élément usé, endommagé ou manquant en utilisant des pièces de rechange Greenlee. Un outil endommagé ou mal assemblé peut se rompre et heurter une personne à proximité avec suffisamment de violence pour provoquer une blessure grave ou la mort.
- Inspectez l'état d'usure ou d'endommagement du poinçon, de la matrice et de la tige de traction. Remplacer tout élément usé ou endommagé en utilisant des pièces de rechange Greenlee. Remplacer tout poinçon qui présente des surfaces de coupe émoussées.

**⚠ AVERTISSEMENT**

Ne pas dépasser la capacité nominale de cet outil. Le fait de dépasser la capacité nominale pourrait causer la défaillance d'un mécanisme, laquelle risquerait de projeter violemment des pièces brisées.

Le non-respect de cet avertissement peut entraîner des blessures graves, voire mortelles.

**⚠ AVERTISSEMENT**

Ne pas jeter les batteries au feu. Elles émettraient alors des vapeurs nocives et seraient susceptibles d'exploser.

Le non-respect de cet avertissement peut entraîner des blessures graves causées par des vapeurs nocives ou des brûlures causées par des projections de débris.

**⚠ AVERTISSEMENT**

Utiliser cet outil pour l'usage prévu par le fabricant uniquement. Tout emploi autre que celui décrit dans ce manuel peut entraîner des blessures ou des dégâts matériels.

**⚠ AVERTISSEMENT**

Assurez-vous que le cycle de poinçonnement s'arrête après avoir percé un trou. Dans le cas contraire, les pièces peuvent entrer en collision, ce qui risque d'éjecter des pièces cassées.

Le non-respect de cet avertissement peut entraîner des blessures graves, voire mortelles.

## **RENSEIGNEMENTS DE SÉCURITÉ IMPORTANTS (suite)**

### **⚠ ATTENTION**

Une fois la perforation terminée, la poinçonneuse tombera.

- Vous devez supporter le poids de l'outil lors de la perforation.
- Ne laissez personne se tenir sous la poinçonneuse lorsque vous percez en hauteur.

Le non-respect de cet avertissement risque d'entraîner des blessures ou des dégâts matériels.

### **⚠ ATTENTION**

- Ne pas utiliser cet outil en continu. Au bout de 30 à 40 cycles de marche, le laisser refroidir pendant 15 minutes.
- Ne pas bloquer cet outil dans un étau. L'outil est conçu pour être utilisé à la main.
- Cet outil peut être utilisé dans des milieux humides ou mouillés; il est toutefois conseillé de le sécher à l'air avant utilisation s'il est très mouillé. L'utilisation de l'outil avant son séchage complet si ses composants électriques ont été mouillés peut provoquer des dommages.
- Utiliser cet outil pour l'usage prévu par le fabricant uniquement.

Le non-respect de ces précautions peut entraîner des blessures ou des dommages matériels.

### **⚠ ATTENTION**

Ne pas laisser quoi que ce soit entrer en contact avec les bornes de la batterie.

- Ne pas immerger la batterie dans un liquide. Le liquide peut produire un court-circuit et endommager la batterie. Si une batterie a été immergée, contacter le centre de réparation pour obtenir les conseils de manutention appropriée.
- Ne pas placer la batterie dans une poche, un porte-outils ou une caisse à outils contenant des objets conducteurs. Les objets conducteurs peuvent produire un court-circuit et endommager la batterie.
- Ne pas poser une batterie sur de la terre ou de l'herbe humide. L'humidité peut produire un court-circuit et endommager la batterie.

Le non-respect de ces précautions peut entraîner des blessures ou des dommages matériels.

### **⚠ ATTENTION**

- Ne pas entreposer la batterie à une température supérieure à 122 °F (50 °C) ou inférieure à -4 °F (-20 °C). Cela peut endommager la batterie.
- Ne pas utiliser un chargeur de marque différente. Les autres marques de chargeurs peuvent produire une surcharge et endommager la batterie.
- Ne pas tenter d'ouvrir la batterie. Il ne contient aucune pièce réparable par l'utilisateur.

Le non-respect de ces précautions peut entraîner des blessures ou des dommages matériels.

### **⚠ ATTENTION**

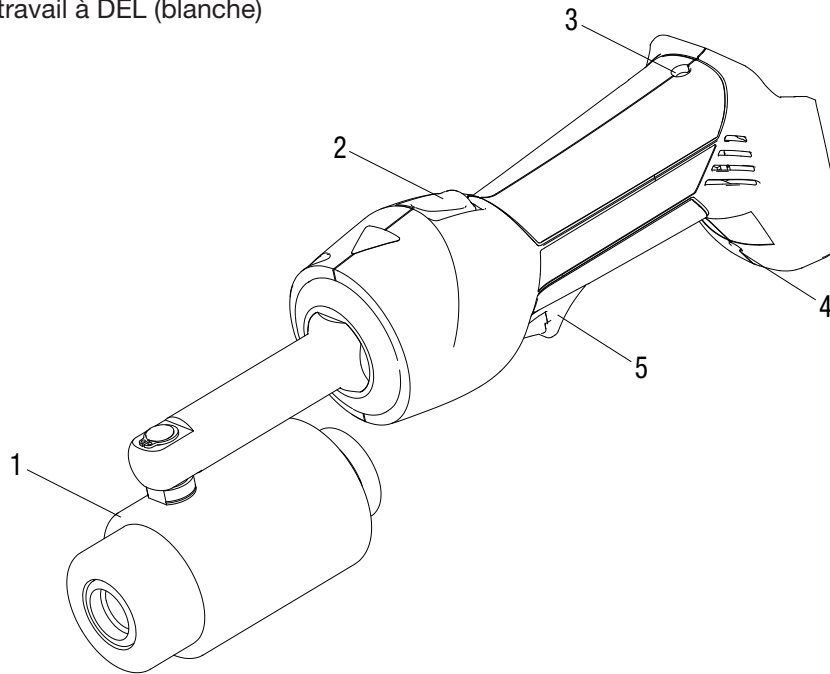
N'effectuer aucune réparation ni opération d'entretien autre que celles décrites dans ce manuel. Cela peut entraîner des blessures ou des dommages à l'outil.

Le non-respect de cette précaution peut entraîner des blessures ou des dégâts matériels.

*Remarque : conserver toutes les décalcomanies dans un état propre et lisible; les remplacer au besoin.*

**Identification et illustration**

- 1. Tête du poinçon
- 2. Bouton de retrait
- 3. Voyant indicateur à DEL (rouge)
- 4. Lampe de travail à DEL (blanche)
- 5. Gâchette



**Caractéristiques**

- Poinçonneuse à éjecteur (sans batterie lithium-ion 18 V 3,0 A)
- Longueur ..... 14,3 po (363,2 mm)
  - Largeur ..... 2,8 po (71,5 mm)
  - Profondeur..... 4,3 po (108,3 mm)
  - Poids..... 3,6 lb (1,6 kg)
  - Force..... 7 tonnes (63 kN)
  - Huile hydraulique..... Liquide hydraulique biodégradable 52057878
  - Plage de température de service conseillée..... 5 °F à 122 °F (-15 °C à 50 °C)
  - Chargeur de batterie..... Lire les instructions fournies avec le chargeur de batterie

52047087	Transformateur à cordon 120 V c.a.	52054992	Adaptateur de chargeur Li (18 V) à NiCd, NiMH (12 V)
52047088	Transformateur à cordon 230 V c.a.	52049201	Chargeur 120 V c.a., 18 V
52049190	Batterie lithium-ion 18 V, 2,0 Ah	52049202	Chargeur 230 V c.a., 18 V
52049189	Batterie lithium-ion 18 V, 3,0 Ah	52049204	Chargeur 12 V c.c., 18 V
52070024	Batterie lithium-ion 18 V, 4,0 Ah		

## Configuration et fonctionnement

### Poinçonnement

*Remarque : l'outil LS50L2 est équipé d'un microprocesseur pour contrôler le fonctionnement. Il s'éteint automatiquement si le poinçonnage ne commence pas dans la seconde qui suit l'appui sur la gâchette. Cela garantit que l'intégralité de la course est disponible pour le poinçonnage et économise de l'énergie.*

1. Consultez le mode d'emploi de la poinçonneuse hydraulique pour savoir comment sélectionner et installer le poinçon, la matrice et la tige de traction correctement.
2. Sélectionnez le poinçon, la matrice et la tige de traction appropriés selon les dimensions recherchées du trou.
3. Déterminer et marquer l'emplacement exact du trou à poinçonner. À l'aide d'un foret à redans Greenlee Kwik Stepper<sup>MD</sup>, percez un trou légèrement plus grand que le diamètre de la tige de traction.
4. Enfoncez le bouton de retrait pour ramener le vérin à sa position de départ.
5. Vissez la tige de traction appropriée complètement à l'intérieur du vérin, dans la tête du poinçon.
6. Faites glisser la matrice correspondante sur la tige de traction. Le bout ouvert de la matrice devrait être orienté à l'opposé de la tête du poinçon.
7. Insérez la tige de traction dans l'avant-trou du matériau qui est percé.
8. Vissez le poinçon (bord tranchant vers le matériau) sur la tige de traction jusqu'à ce que l'ensemble du poinçon soit fermement positionné sur la surface du matériau.

*Remarque :*

- *Tous les filets du poinçon doivent être engagés complètement sur les filets de la tige de traction. Si les filets du poinçon ne sont pas tous engagés, remontez l'ensemble.*
  - *Dans le cas du poinçon SPEED PUNCH<sup>MD</sup>, faites glisser le poinçon sur la tige de traction (bord tranchant vers le matériau), puis fixez le dispositif SPEED LOCK sur la tige de traction.*
9. Appuyer sur la gâchette et la tenir enfoncée pour compléter le cycle de poinçonnement. La poinçonneuse LS50L2 s'éteint automatiquement lorsqu'elle détecte que le poinçon a complètement perforé le matériau.
  10. Dévissez le poinçon de la tige de traction. Faites glisser la matrice hors de la tige de traction et retirez les éventuelles extrusions.

## IMPORTANT

Relâcher la gâchette lorsque le poinçon a effectué le trou. La poinçonneuse LS50L2 peut ne pas détecter qu'un trou a été effectué dans les panneaux dont le calibre est inférieur à 18 (1 mm) et dans les matériaux mous (plastique, etc.).

*Remarque : Dans le cas du poinçon SPEED PUNCH<sup>MD</sup>, enlever le dispositif de verrouillage SPEED LOCK. Faites glisser le poinçon hors de la tige de traction, puis faites glisser la matrice hors de la tige de traction et retirez les éventuelles extrusions*

### Charger la batterie

Lire les instructions fournies avec le chargeur de batterie.

### Lampe de travail à DEL (blanche)


Cette lampe s'allume automatiquement lorsque la gâchette est enfoncée. Elle reste allumée pendant 10 secondes une fois que la gâchette est relâchée.

### Voyant indicateur à DEL (rouge)

Cet outil est équipé d'un circuit électronique spécial incorporant plusieurs fonctions importantes conçues pour informer l'utilisateur de l'état actuel de l'appareil. Le voyant à DEL signale les cas suivants :


Situation	Signal	Sa signification
Voyant clignotant pendant 2 secondes	● ●	La batterie est insérée dans l'outil
Voyant continu pendant 20 secondes en fin de cycle	■	La charge de la batterie est inférieure à 17 V au début du cycle
L'outil ne démarre <b>pas</b> , et le voyant est continu pendant 20 secondes lorsque la gâchette est relâchée	■	La charge de la batterie est inférieure à 16 V au début du cycle
L'outil s'arrête, et le voyant est continu pendant 20 secondes lorsque la gâchette est relâchée	■	La tension de la batterie chute en dessous de 13 V durant le cycle
L'outil s'arrête, et le voyant clignote pendant 20 secondes lorsque la gâchette est relâchée	● ● ● ●	Le courant du moteur dépasse 20 A durant le cycle Le circuit a surchauffé

**Configuration et fonctionnement (suite)**

 <b>AVERTISSEMENT</b>
<ul style="list-style-type: none"> <li>• Inspecter l'outil pour s'assurer qu'il ne présente ni signes d'usure ni dommages. Remplacer tout élément usé, endommagé ou manquant en utilisant des pièces de rechange Greenlee. Un outil endommagé ou mal assemblé peut se rompre et heurter une personne à proximité avec suffisamment de violence pour provoquer une blessure grave ou la mort.</li> <li>• Inspectez l'état d'usure ou d'endommagement du poinçon, de la matrice et de la tige de traction. Remplacer tout élément usé ou endommagé en utilisant des pièces de rechange Greenlee. Remplacer tout poinçon qui présente des surfaces de coupe émoussées.</li> </ul>

	 <b>AVERTISSEMENT</b>
	<p>Points de pincement :</p> <ul style="list-style-type: none"> <li>• Enlever la batterie avant de changer les matrices, adaptateurs ou mâchoires.</li> <li>• garder les mains éloignées de la tête de l'outil en poinçonnant.</li> </ul> <p>Le non-respect de ces avertissements peut entraîner des blessures graves, voire mortelles.</p>

	 <b>AVERTISSEMENT</b>
	<p>Danger de décharge électrique :</p> <p>Cet outil n'est pas isolé. Pour utiliser cet appareil sur des lignes électriques sous tension ou à proximité de celles-ci, porter l'équipement de protection individuelle approprié.</p> <p>Le non-respect de cet avertissement peut entraîner des blessures graves, voire mortelles.</p>

 <b>ATTENTION</b>
<ul style="list-style-type: none"> <li>• Ne pas utiliser cet outil en continu. Au bout de 30 à 40 cycles de marche, le laisser refroidir pendant 15 minutes.</li> <li>• Ne pas bloquer cet outil dans un étau. L'outil est conçu pour être utilisé à la main.</li> <li>• Cet outil peut être utilisé dans des milieux humides ou mouillés; il est toutefois conseillé de le sécher à l'air avant utilisation s'il est très mouillé. L'utilisation de l'outil avant son séchage complet si ses composants électriques ont été mouillés peut provoquer des dommages.</li> <li>• Utiliser cet outil pour l'usage prévu par le fabricant uniquement.</li> </ul> <p>Le non-respect de ces précautions peut entraîner des blessures ou des dommages matériels.</p>

	 <b>AVERTISSEMENT</b>
	<p>Veiller à porter des lunettes de protection lors de l'utilisation ou de l'entretien de cet outil.</p> <p>L'absence de lunettes de protection pourrait entraîner des lésions oculaires graves causées par des projections de débris ou d'huile hydraulique.</p>



## Capacité

Poinçonneuse hydraulique à éjecteur LS50L2 sur batterie


<b>ACIER INOXYDABLE</b>	
<b>Poinçons Slug-Splitter et poinçons grand format à 3 points</b>	
<b>Dimensions des tuyaux et conduits</b>	<b>Calibre maximal de la poinçonneuse</b>
0,5 po à 1,25 po	cal. 10 (0,134 po, 3 mm)
De 1-1/2 po à 2 po	cal. 12 (0,104 po, 2,5 mm)
2,5 po à 4 po	S.O.

<b>ACIER DOUX</b>	
<b>Poinçons standards et Slug-Buster</b>	
<b>Dimensions des tuyaux et conduits</b>	<b>Calibre maximal de la poinçonneuse</b>
0,5 po à 3 po	cal. 10 (0,134 po, 3 mm)
De 3-1/2 po à 4 po	cal. 12 (0,104 po, 2,5 mm)

*Remarque : consultez le mode d'emploi de la poinçonneuse hydraulique pour savoir comment sélectionner et installer le poinçon, la matrice et la tige de traction.*

**Entretien**

	<b>⚠ AVERTISSEMENT</b>
	<p>Veiller à porter des lunettes de protection lors de l'utilisation ou de l'entretien de cet outil.</p> <p>L'absence de lunettes de protection pourrait entraîner des lésions oculaires graves causées par des projections de débris ou d'huile hydraulique.</p>

	<b>⚠ AVERTISSEMENT</b>
	<p>Danger d'injection sous la peau :</p> <p>Ne pas utiliser les mains pour contrôler l'étanchéité hydraulique. Le liquide sous pression peut aisément percer la peau. En cas de lésion, consulter immédiatement un médecin pour extraire le liquide hydraulique.</p> <p>Le non-respect de cette mise en garde peut entraîner des blessures graves, la gangrène ou la mort.</p>

	<b>⚠ AVERTISSEMENT</b>
	<p>Ne pas utiliser de solvant ni de liquide inflammable pour nettoyer le boîtier de l'outil. Les solvants et les liquides inflammables peuvent s'enflammer et provoquer des blessures ou des dégâts matériels graves.</p>

	<b>⚠ AVERTISSEMENT</b>
	<p>Points de pincement :</p> <ul style="list-style-type: none"> <li>• Enlever la batterie avant de changer les matrices, adaptateurs ou mâchoires.</li> <li>• garder les mains éloignées de la tête de l'outil en poinçonnant.</li> </ul> <p>Le non-respect de ces avertissements peut entraîner des blessures graves, voire mortelles.</p>

<b>IMPORTANT</b>
<p>Les réglages de la soupape de décharge doivent être effectués par un centre de réparation agréé.</p>

**Chaque jour**
*Avant utilisation :*

1. Vérifier l'absence d'usure et de dommages tels que fissures, entailles ou éclats.
2. Vérifier que l'outil ne présente pas de dommages ni de fuites.
3. Vérifier la rotation de la tête de l'outil. Rentrer complètement le vérin. La tête devrait tourner librement. Si des dommages sont constatés, envoyer l'outil à un centre de réparation agréé Greenlee pour le faire contrôler.

*Après utilisation :*

1. Utiliser un chiffon humide et un détergent doux pour nettoyer le boîtier. Laisser le boîtier sécher.
2. Rentrer complètement le vérin. Placer l'outil dans son étui de transport et le ranger dans un endroit frais et sec.
3. Le cas échéant, recharger les batteries. Se reporter aux instructions fournies avec le chargeur de batterie.

## Dépannage

### Avant de commencer

1. S'assurer que la batterie est chargée. Revérifier la batterie au bout de quelques minutes pour s'assurer qu'elle tient la charge.
2. Utiliser un nettoie-contact **inflammable** ou une gomme à crayon pour nettoyer les contacts électriques de la batterie et de l'outil.
3. Remettre la batterie en place et revérifier l'outil.

Problème	Cause possible	Solution probable
L'outil ne fonctionne pas.	Saleté, corps étrangers, etc. au niveau du vérin.	Nettoyer l'outil.
	Contacts de batterie de l'outil endommagés.	Redresser les contacts.
	Éléments de l'outil usés ou endommagés.	Renvoyer l'outil à un centre de réparation agréé Greenlee.
Le moteur ne fonctionne pas.	Batterie faible ou déchargée.	Essayer avec une batterie chargée connue. La batterie inopérante peut être déchargée ou avoir atteint la fin de sa durée de service.
	Pièces de commutateur cassées.	Renvoyer l'outil à un centre de réparation agréé Greenlee.
Le moteur tourne, mais l'outil n'exécute pas un cycle complet.	Niveau hydraulique insuffisant.	Renvoyer l'outil à un centre de réparation agréé Greenlee.
	Air dans le circuit hydraulique.	Appuyer sur la gâchette et tenir enfoncé simultanément le bouton de retrait. Tenir environ 10 secondes, puis essayer de poinçonner. En cas d'échec, renvoyer l'outil à un centre de réparation agréé Greenlee.
	Liquide hydraulique froid.	Appuyer sur la gâchette et tenir enfoncé simultanément le bouton de retrait pour chauffer le liquide. Entreposer l'outil dans un endroit chaud.
Les matrices s'arrêtent durant l'opération.	Niveau hydraulique insuffisant.	Renvoyer l'outil à un centre de réparation agréé Greenlee.
	Air dans le circuit hydraulique.	Appuyer sur la gâchette et tenir enfoncé simultanément le bouton de retrait. Tenir pendant 10 secondes environ.
Le voyant à DEL s'allume pendant 20 secondes.	Batterie déchargée.	Charger ou changer la batterie.
L'outil perd du liquide hydraulique.	Joint interne endommagé.	Renvoyer l'outil à un centre de réparation agréé Greenlee.

*Remarque : communiquer avec le service à la clientèle de Greenlee, au 800-435-0786, pour obtenir une intervention de service ou de réparation au titre de la garantie.*

