

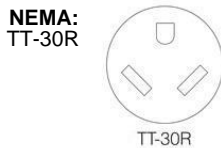
7313-S00



UPC Code: 07847769529

Country Of Origin: Mexico

**Eligible for ARRA funded projects > \$7,443,000*



7313-S00

Brand Features

Built of durable thermoplastic, Leviton Power Receptacles — come equipped with heavy-gauge, double-wire copper alloy contacts. Flush mount receptacles fit Leviton's wide range of 2.15"- diameter wallplates and mounting hardware is included. For use in Recreational Vehicles.

Item Description

30 Amp, 125 Volt, NEMA TT-30R, 2P, 3W, Flush Mtg Receptacle, Straight Blade, Industrial Grade, Grounding, (For Recreational Vehicles), Side Wired, Steel Strap - Black

WARNING: Do not use with single-gang wallboxes, single-gang mud rings or single-gang box extenders.

Technical Information

AC Horsepower Ratings

At Rated Voltage: 2 HP

Electrical Specifications

Dielectric Voltage: Withstands 2000V per UL498

Grounding: Grounding

Temperature Rise: Max 30C after 50 cycles OL at 150 percent rated current

Voltage: 250 Volt

Amperage: 30 Amp

Current Limiting: Full Rated Current

Wire: 3

Pole: 2

Environmental Specifications

Operating Temperature: -40C to 60C

Flammability: Rated V-2 per UL94

Material Specifications

Strap Material: Galvanized Steel

Body Material: Thermoplastic

Face Material: Thermoplastic

Color: Black

Line Contacts: Brass Double-Wipe

Mechanical Specifications

Product ID: Ratings are permanently marked on device

Terminal ID: X=Hot Y=Hot GR=Ground

Terminal Accom.: Up to 4 AWG

Product Features

Color: Black

NEMA: TT-30R

Standards and Certifications

CSA: 22.2 No 42, C22.2 No.14, C22.2 No.65

Warranty: 10 Year Limited

UL: UL 498, UL 486E

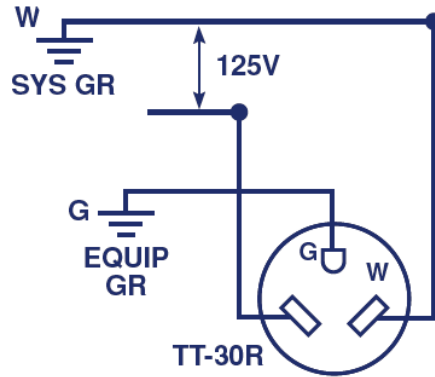
tsa_file: E13399

ANSI: C73

NOM: NOM - ANCE

NEMA: WD-6

Wiring Diagram



SPECIFICATION SUBMITTAL

JOB NAME: <input style="width: 95%;" type="text"/>	CATALOG NUMBERS: <input style="width: 95%;" type="text"/>
JOB NUMBER: <input style="width: 95%;" type="text"/>	<input style="width: 95%;" type="text"/>

Leviton Manufacturing Co., Inc.

201 North Service Road, Melville, NY 11747

Teléfono: +1-800-323-8920 · FAX: +1-800-832-9538 · Tech Line (8:30AM-7:30PM E.S.T. Monday-Friday): +1-800-824-3005

Leviton Manufacturing of Canada, Ltd.

165 Hymus Boulevard, Pointe Claire, Quebec H9R 1E9 · Telephone: +1-800-469-7890 ·

FAX: +1-800-824-3005 · www.leviton.com/canada

Leviton S. de R.L. de C.V.

Lago Tana 43, Mexico DF, Mexico CP 11290 · Tel.: (+52)55-5082-1040 · FAX: (+52)5386-

1797 · www.leviton.com.mx

Visit our Website at: www.leviton.com

© 2012 Leviton Manufacturing Co., Inc. Todos los derechos reservados. Subject to change without notice.

Leviton has a global presence.

If you would like to know where your local Leviton office is located please go to:

www.leviton.com/international/contacts/



**Leviton is the smart choice, providing the most comprehensive range of solutions to meet the needs of today's residential, commercial and industrial buildings. Leveraging more than a century of experience, Leviton helps customers create sustainable, intelligent environments through its electrical wiring devices, network and data center connectivity solutions, and lighting energy management systems. From switches and receptacles, to daylight harvesting controls, networking systems, and equipment for charging electric vehicles, Leviton solutions help customers achieve savings in energy, time and cost, all while enhancing safety.*