

BALDOR® • **RELIANCE**

Product Information Packet

L3502

.33HP, 1140RPM, 1PH, 60HZ, 56, 3424L, TEFC, F1

Part Detail							
Revision:	U	Status:	PRD/A	Change #:		Proprietary:	No
Type:	AC	Elec. Spec:	34WG5855	CD Diagram:	CD0001	Mfg Plant:	
Mech. Spec:	34C061	Layout:	34LYC061	Poles:	06	Created Date:	
Base:	RG	Eff. Date:	01-23-2017	Leads:	6#18		

Specs			
Catalog Number:	L3502	Heater Indicator:	No Heater
Enclosure:	TEFC	Insulation Class:	B
Frame:	56	Inverter Code:	Not Inverter
Frame Material:	Steel	KVA Code:	M
Output @ Frequency:	.330 HP @ 60 HZ	Lifting Lugs:	No Lifting Lugs
Synchronous Speed @ Frequency:	1200 RPM @ 60 HZ	Locked Bearing Indicator:	No Locked Bearing
Voltage @ Frequency:	230.0 V @ 60 HZ	Motor Lead Quantity/Wire Size:	6 @ 18 AWG
	115.0 V @ 60 HZ	Motor Lead Exit:	Ko Box
XP Class and Group:	None	Motor Lead Termination:	Flying Leads
XP Division:	Not Applicable	Motor Type:	3424L
Agency Approvals:	UR	Mounting Arrangement:	F1
	CSA	Power Factor:	55
Auxillary Box:	No Auxillary Box	Product Family:	General Purpose
Auxillary Box Lead Termination:	None	Pulley End Bearing Type:	Ball
Base Indicator:	Rigid	Pulley Face Code:	Standard
Bearing Grease Type:	Polyrex EM (-20F +300F)	Pulley Shaft Indicator:	Standard
Blower:	None	Rodent Screen:	None
Current @ Voltage:	3.700 A @ 230.0 V	Shaft Extension Location:	Pulley End

	4.300 A @ 208.0 V	Shaft Ground Indicator:	No Shaft Grounding
	7.400 A @ 115.0 V	Shaft Rotation:	Reversible
Design Code:	N	Shaft Slinger Indicator:	No Slinger
Drip Cover:	No Drip Cover	Speed Code:	Single Speed
Duty Rating:	CONT	Motor Standards:	NEMA
Electrically Isolated Bearing:	Not Electrically Isolated	Starting Method:	Direct on line
Feedback Device:	NO FEEDBACK	Thermal Device - Bearing:	None
Front Face Code:	Standard	Thermal Device - Winding:	None
Front Shaft Indicator:	None	Vibration Sensor Indicator:	No Vibration Sensor

Nameplate NP1256L										
CAT.NO.	L3502									
SPEC.	34C61-5855									
HP	.33									
VOLTS	115/230									
AMP	7.4/3.7									
RPM	1140									
FRAME	56				HZ	60			PH	1
SER.F.	1.35			CODE	M	DES	N		CLASS	B
NEMA-NOM-EFF	54			PF	55					
RATING	40C AMB-CONT									
CC									USABLE AT 208V	4.3
DE	6203				ODE	6203				
ENCL	TEFC			SN						
	SFA 8.2/4.1									

AC Induction Motor Performance Data
Record # 6824 - Typical performance - not guaranteed values

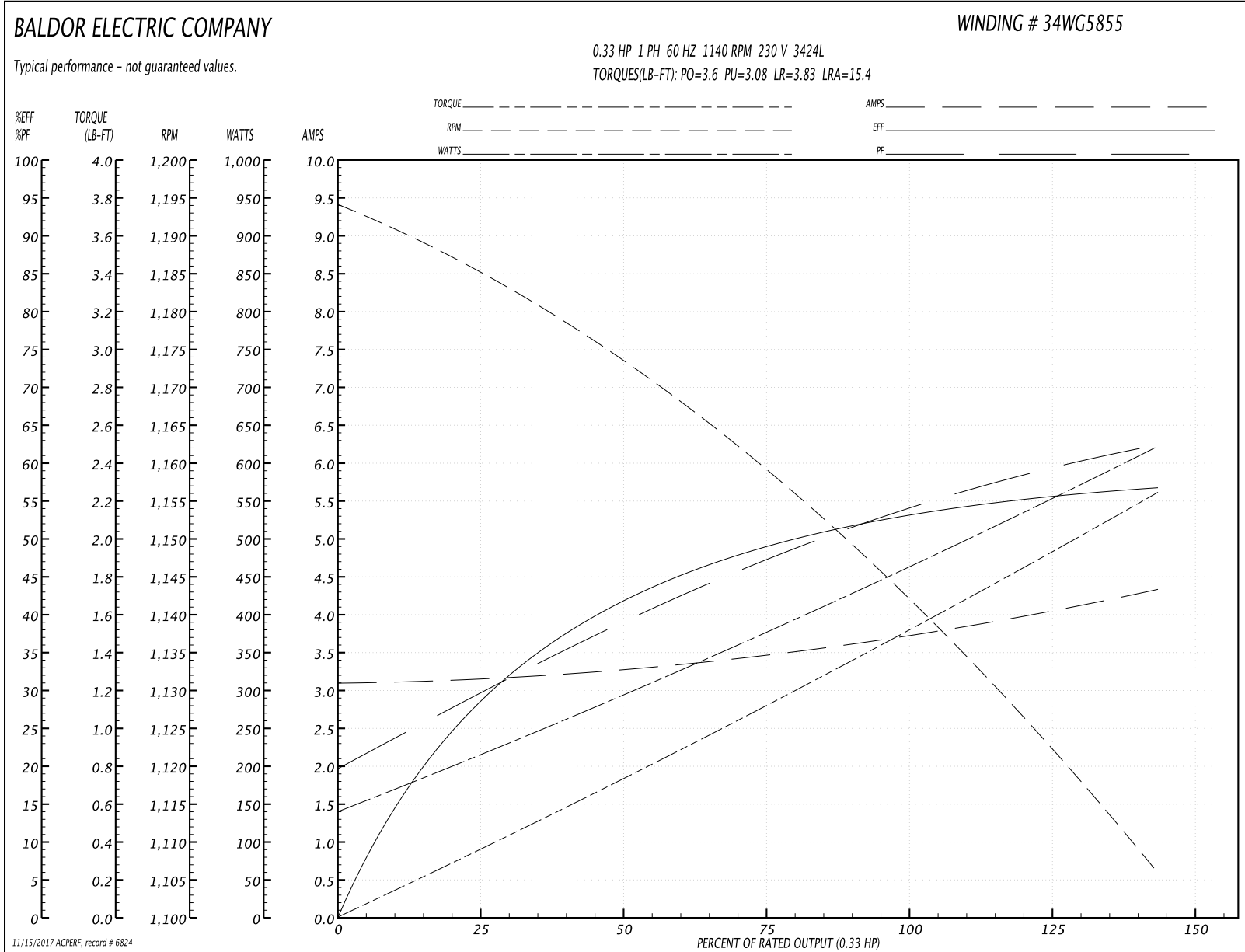
Winding: 34WG5855-R001	Type: 3424L	Enclosure: OPEN
-------------------------------	--------------------	------------------------

Nameplate Data				230 V, 60 Hz: High Voltage Connection	
Rated Output (HP)	.33			Full Load Torque	1.5 LB-FT
Volts	115/230			Start Configuration	direct on line
Full Load Amps	7.4/3.7			Breakdown Torque	3.6 LB-FT
R.P.M.	1140			Pull-up Torque	3.08 LB-FT
Hz	60	Phase	1	Locked-rotor Torque	3.83 LB-FT
NEMA Design Code	N	KVA Code	M	Starting Current	15.4 A
Service Factor (S.F.)	1.35			No-load Current	3.1 A
NEMA Nom. Eff.	54	Power Factor	55	Line-line Res. @ 25°C	6.12 Ω A Ph 5.66 Ω B Ph
Rating - Duty	40C AMB-CONT			Temp. Rise @ Rated Load	67°C
S.F. Amps	8.2/4.1			Temp. Rise @ S.F. Load	82°C

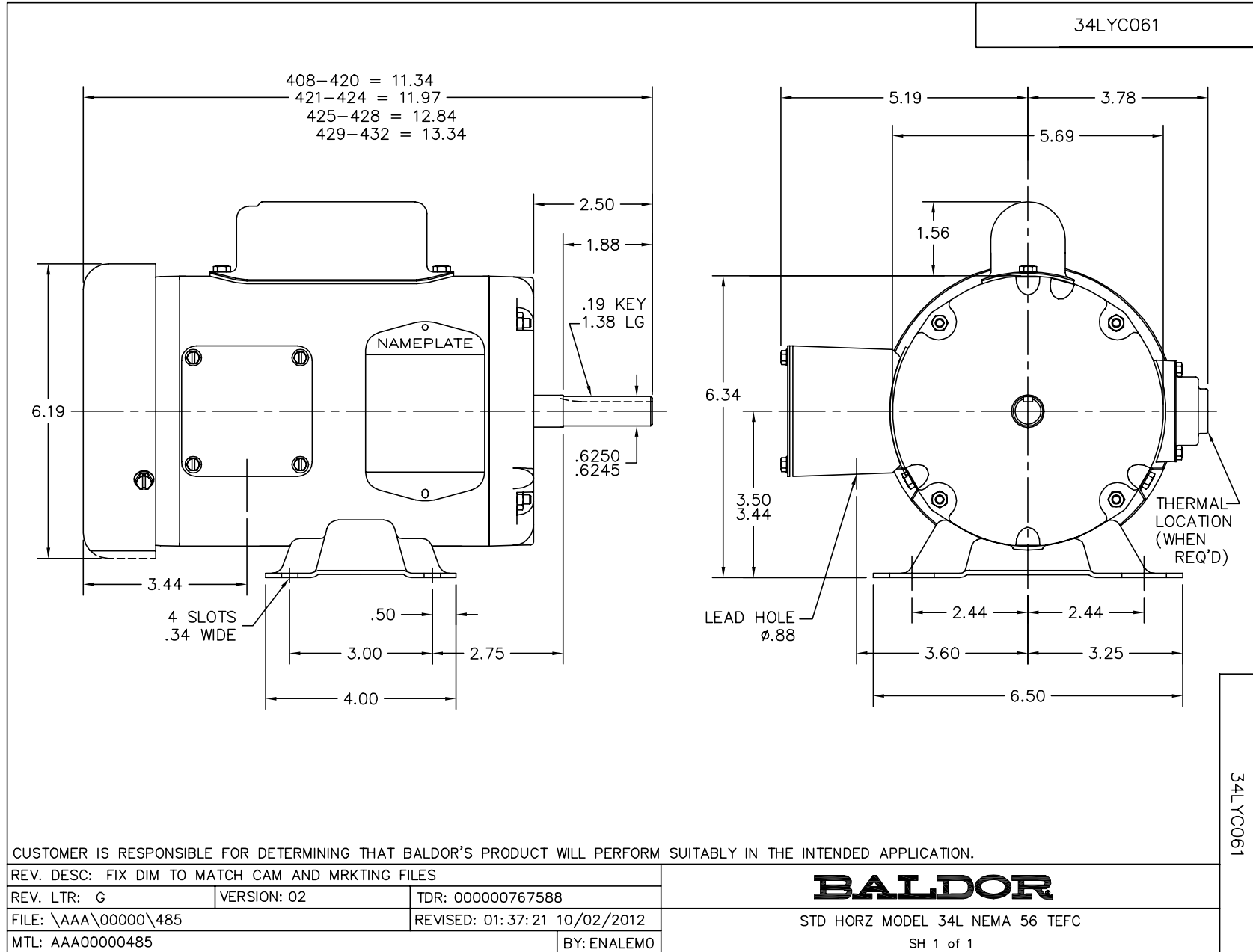
Load Characteristics 230 V, 60 Hz, 0.33 HP

% of Rated Load	25	50	75	100	125	150	S.F.
Power Factor	30	39	48	55	61	67	65
Efficiency	27	41	50	54	56	56	56
Speed	1185	1170	1160	1145	1125	1105	1115
Line amperes	3.1	3.35	3.5	3.7	3.9	4.4	4.1

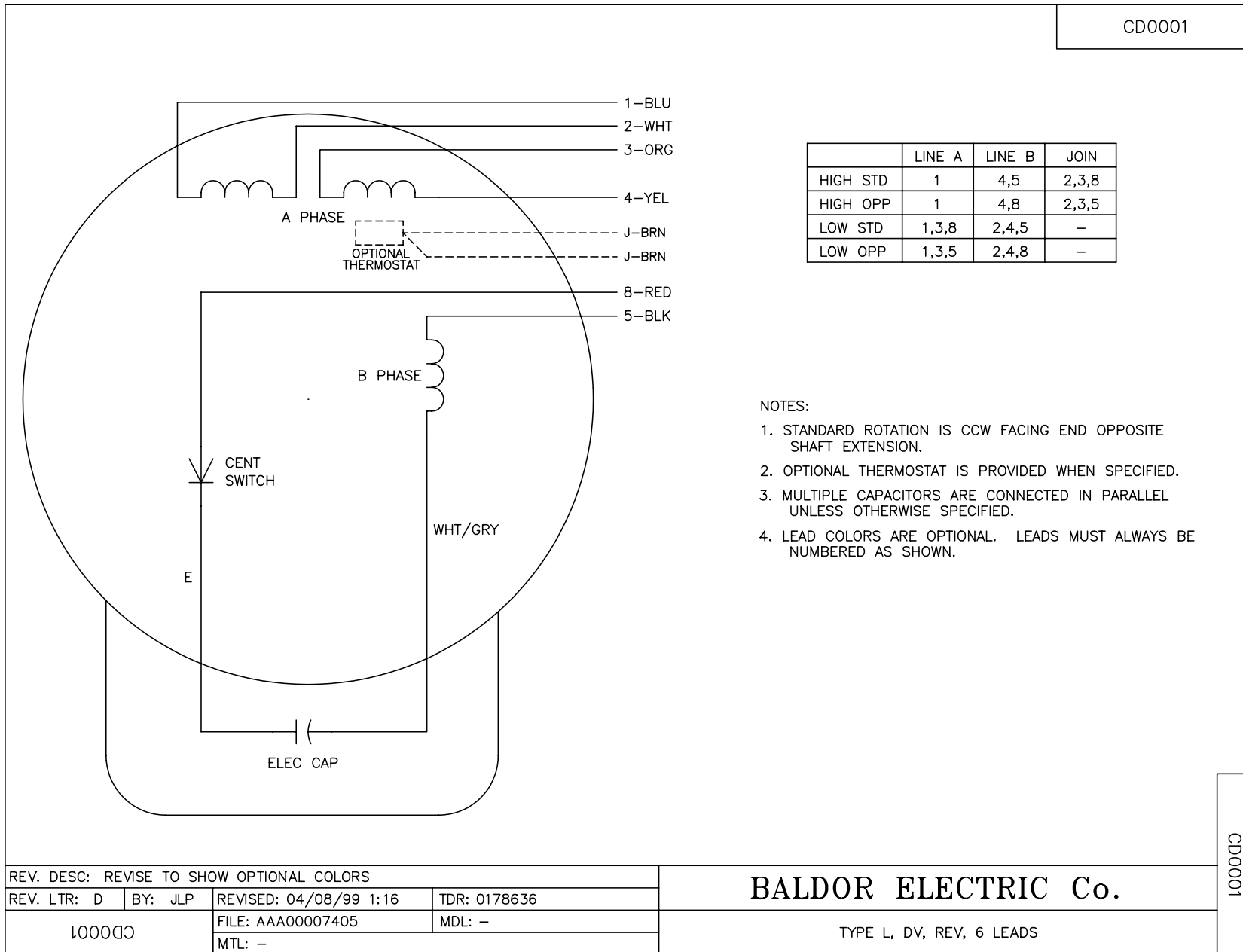
Performance Graph at 230V, 60Hz, 0.33HP Typical performance - Not guaranteed values



11/15/2017 ACPERF: record # 6824



CD0001



CD0001

REV. DESC: REVISE TO SHOW OPTIONAL COLORS			
REV. LTR: D	BY: JLP	REVISED: 04/08/99 1:16	TDR: 0178636
100000		FILE: AAA00007405	MDL: -
		MTL: -	

BALDOR ELECTRIC Co.

TYPE L, DV, REV, 6 LEADS