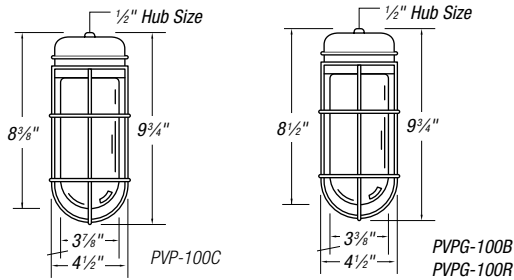


## Vaportight Lighting

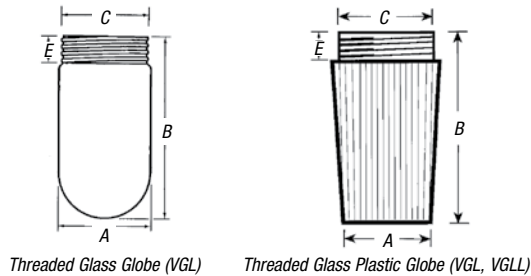
### Pendant Fixtures



| PACKAGING |                                   |            |     |           |
|-----------|-----------------------------------|------------|-----|-----------|
| CAT. NO.  | DESCRIPTION                       | MAX. WATTS | BOX | STD. CTN. |
| PVP-100C  | Fixture and Clear LEXAN® Globe    | 100        | 1   | 12        |
| PVPG-100B | Fixture, Blue LEXAN® Globe, Guard | 100        | 1   | 12        |
| PVPG-100R | Fixture, Red LEXAN® Globe, Guard  | 100        | 1   | 12        |

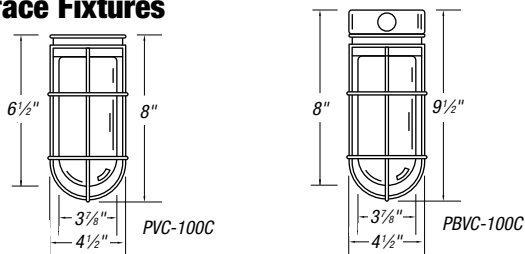
UL Listed. CSA Certified LR-95792.

### VGL



| CAT. NO.             | A (IN.) | B (IN.) | C (IN.) | D (IN.) | E (IN.) | I.D (IN.) |
|----------------------|---------|---------|---------|---------|---------|-----------|
| <b>VGL-01 SERIES</b> | 3 3/8   | 6 17/32 | 3 5/16  | 1       | —       | 2 1/16    |
| <b>VGL-02 SERIES</b> | 4 3/8   | 8 3/8   | 4 3/16  | 1       | —       | 3 13/16   |
| <b>VGLL-01</b>       | 3 17/32 | 5 15/16 | 3 3/8   | —       | 7/8     | 2 7/8     |
| <b>VGLL-02</b>       | 4 17/32 | 8 1/4   | 4 3/8   | —       | 7/8     | 3 3/8     |
| <b>VGLA-A1</b>       | 3 17/32 | 5 15/16 | 3 3/8   | —       | 7/8     | 2 7/8     |
| <b>VGLA-R1</b>       | 3 17/32 | 5 15/16 | 3 3/8   | —       | 7/8     | 2 7/8     |

### Surface Fixtures

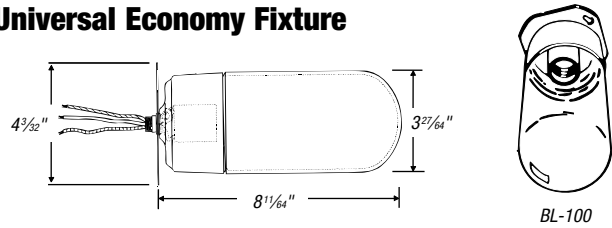


| PACKAGING        |                                     |            |     |           |
|------------------|-------------------------------------|------------|-----|-----------|
| CAT. NO.         | DESCRIPTION                         | MAX. WATTS | BOX | STD. CTN. |
| <b>PVC-100C</b>  | Fixture and Clear LEXAN® Globe      | 100        | 1   | 12        |
| <b>PBVC-100C</b> | Fixture, Box and Clear LEXAN® Globe | 100        | 1   | 12        |

UL Listed E-77360. CSA Certified LR-95792.

LEXAN® is a registered trademark of SABIC Innovative Plastics Company.

### Universal Economy Fixture



| CAT. NO.      | DESCRIPTION             | MAX. WATTS | STD. CTN. |
|---------------|-------------------------|------------|-----------|
| <b>BL-100</b> | Fixture and Glass Globe | 75         | 10        |

### Replacement Parts

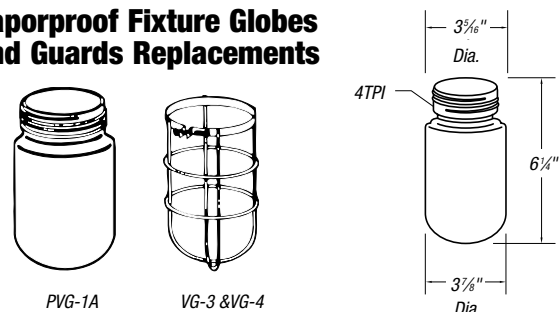
| PACKAGING      |                                     |     |           |
|----------------|-------------------------------------|-----|-----------|
| CAT. NO.       | DESCRIPTION                         | BOX | STD. CTN. |
| <b>Sockets</b> |                                     |     |           |
| <b>R122</b>    | Socket for All Vapor-Proof Fixtures | —   | 250       |

### VGD, VGW



| CAT. NO.      | A (IN.) | B (IN.) |
|---------------|---------|---------|
| <b>VGD-01</b> | 4 1/16  | 7       |
| <b>VGD-02</b> | 5 5/16  | 8 3/8   |
| <b>VGW-01</b> | 4 1/16  | 6 1/64  |
| <b>VGW-02</b> | 5 5/16  | 8 3/64  |

### Vaporproof Fixture Globes and Guards Replacements



| PACKAGING      |  |     |           |
|----------------|--|-----|-----------|
| CAT. NO.       | DESCRIPTION                              | BOX | STD. CTN. |
| <b>PVG-1A*</b> | Amber LEXAN® Globe for 100-Watt Fixtures | 1   | 12        |
| <b>PVG-1C*</b> | Clear LEXAN® Globe for 100-Watt Fixtures | 1   | 12        |
| <b>PVG-1R*</b> | Red LEXAN® Globe for 100-Watt Fixtures   | 1   | 12        |
| <b>PVG-1W*</b> | White LEXAN® Globe for 100-Watt Fixtures | 1   | 12        |
| <b>VG-3</b>    | Guard for 100-Watt Fixtures              | 1   | 12        |
| <b>VG-4</b>    | Guard for 200-Watt Fixtures              | 1   | 6         |

\* UL Listed E-77360.

Boxes & Covers — Red•Dot® Weatherproof