

Specifications

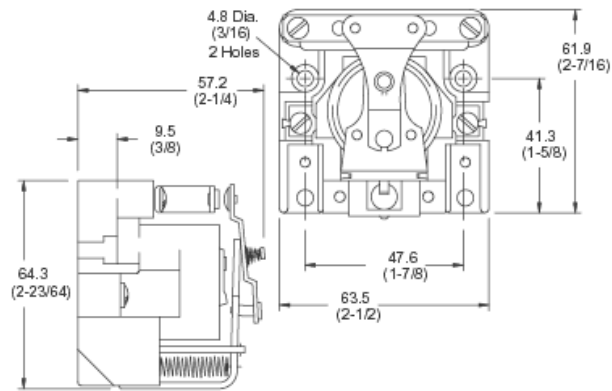
Cat. No. 700-HG...											
Electrical Ratings											
Pilot Duty Rating ‡		A600									
Rated Thermal Current (I _{th})		40 A									
Rated Insulation Voltage (U _i)		600V UL									
Contact Ratings: AC Ratings SPST-NO-DM					Contact Ratings: AC Ratings SPDT, DPST - NO and DPDT						
Volts	Inductive			Resistive - Make/Break and Continuous	HP	Volts	Inductive			Resistive - Make/Break and Continuous	HP§
	Make	Break	Continuous				Make	Break	Continuous		
120	60 A	6 A	10 A	40 A	2	120	60 A	6 A	10 A	40 A	1 - 1/2
240	30 A	3 A	10 A	40 A		240	30 A	3 A	10 A	40 A	
480	15 A	1.5 A	10 A	12 A	2	480	15 A	1.5 A	10 A	5 A	1 - 1/2
600	12 A	1.2 A	10 A	10 A		600	12 A	1.2 A	10 A	5 A	
DC Ratings: Without Magnetic Blowouts - 28V 40 A - Make, Break and Continuous Est Drop 125V 1.2...3 A											
DC Ratings: With Magnetic Blowouts:		SPST - NO - DM		SPDT, DPST - NO and DPDT							
Make, Break and Continuous		110V	20 A	10 A							
		220V	8 A	4 A							
		325V	4 A	2 A							
		500V	2 A	—							
Permissible Coil Voltage Variation		80...100% of Nominal Voltage at 50 Hz									
		85...110% of Nominal Voltage at 60 Hz									
		80...110% of Nominal Voltage at DC									
		50 HZ		60 HZ							
Coil Consumption ±10%	AC Coils	Inrush	13 VA	16 VA							
		Sealed	10 VA	11 VA							
	DC Coils	2.0 W									
Design Specification/Test Requirements											
Dielectric Withstand Voltage	Pole-to-Pole		2200V AC								
	Contact to Pole		2200V								
	Contact to Frame		2200V AC								
Mechanical											
Degree of Protection		Open Type									
Mechanical Life Operations		5 x 10 ⁶									
Switching Frequency Operations		1600/Hr									
Coil Voltage		See Overview/Product Selection									
Operating Time at Nominal Voltage at 20 °C	Pickup	40 ms									
	Dropout	35 ms									
Maximum Operating Rate		—									
Environmental											
Temperature	Operating	-30...+55 °C									
		(-22...+149 °F)									
	Storage	-30...+65 °C									
		(-22...+149 °F)									
Altitude		2000 m (6560 ft.)									
Construction											
Insulating Material		Molded Thermo									
		Setting Plastic									
Enclosure		—									
Contact Material		Silver Cadmium Oxide									
Terminal Markings on Socket		—									
Sockets		N/A									
Certifications		CSA Certified, File 225674, UL Listed, File E3125, Guide NLDX, CE Marked									
Standards		UL 508, CSA 22.2 No. 14, EN/IEC 60947-1, -5-1									

‡ NEMA Rating Chart is on page 19 of publication 700-SG003B-EN-P.

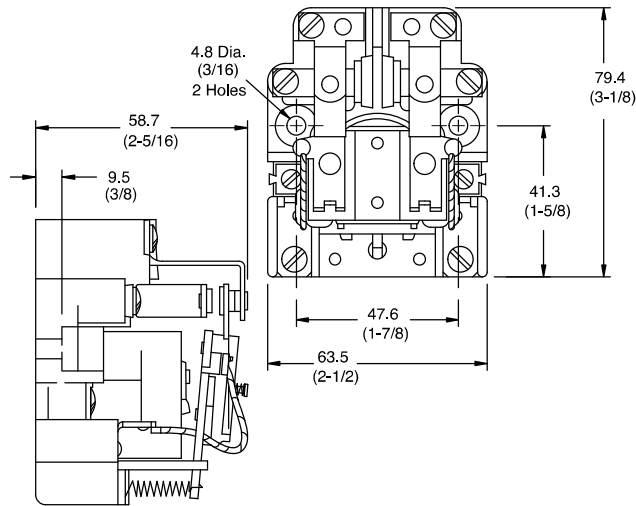
§ For DPDT only: 2 Hp Switching 2 Poles, 200...600V AV, 50/60 Hz.

Approximate Dimensions

Approximate Dimensions are shown in millimeters (inches). Approximate Dimensions are not intended to be used for manufacturing purposes.



Bulletin 700-HG Relays, SPST-NO-DM



Bulletin 700-HG Relays