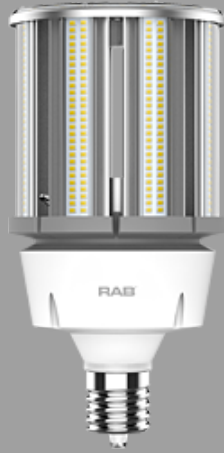


**Project:**

**Type:**

**Prepared By:**

**Date:**



UPC: 19813510316



RoHS  
Compliant

### Features and Benefits

**HID REPLACEMENT** - Replace conventional HID lamps

**BALLAST BYPASS** - Internal driver eliminates the need for external driver or ballast

**COMPACT DESIGN** - Allows the lamp to fit in most fixtures

**HEAT DISSIPATION** - Thermal technology extends lifespan

**WATER AND DUST RESISTANT** - Ideal for rugged applications. IP65 Rated.

**ENCLOSED FIXTURE RATED** - May be used in enclosed and open fixtures

**INSTANT ON** - No warmup time required, full brightness instantly

**SURGE PROTECTION** - Includes 4kV surge protection

### Technical Specifications

Product Type	HID
Bulb Shape	Post Top
Wattage	100W
Wattage Equivalency	400W HID
Typical Lumen Output	13500
Efficacy	135 lm/W
Color Temperature	4000K Cool White
CRI	80
Base Type	EX39
L70 Lifespan	50,000 hours
Operating Temperature	-30°C - 60°C
Dimmable	No
Beam Angle	360°
Warranty	5-Year, No-Compromise Warranty
Installation Type	Type B, Ballast Bypass
Installation Orientation	For Vertical Installation Only
For Use in Emergency Fixtures	No
For Use Outdoors in Open Fixtures	Yes

### Electrical Characteristics

Input Voltage	100-277V
Power Factor	>0.9
Operating Frequency	50 / 60 Hz
Input Current @ 120V	0.67mA
Flicker	<30%
THDi	<20%

### Listings

UL Listed	Yes
UL Classified	Yes
DLC Listed	This product is on the Design Lights Consortium (DLC) Qualified Products List and is eligible for rebates from DLC Member Utilities.
DLC Model Number	HID-100-EX39-840-BYP-PT
DLC Product Code	PLETG8M9QCOD
CEC Status	Lawful for sale in California

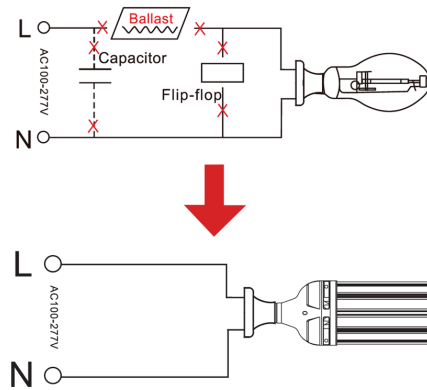
## Minimum Compartment Size

Length x Width x Height [in]	Lamp Quantity
9.8 x 9.8 x 9.1	1

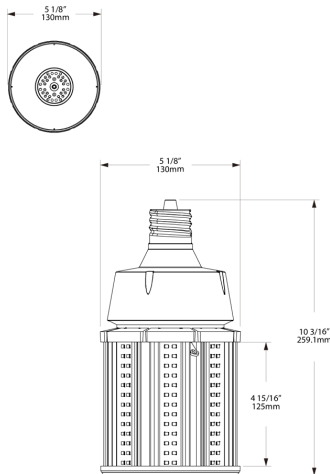
## Case and Pallet Dimensions

	QTY	LENGTH	WIDTH	HEIGHT
CASE	6	19.8	14.4	14.2
PALLET	18	30.8	41.6	47.4

## Wiring Diagram



## Dimension



## Light Distribution

