

P250ML5AC4M

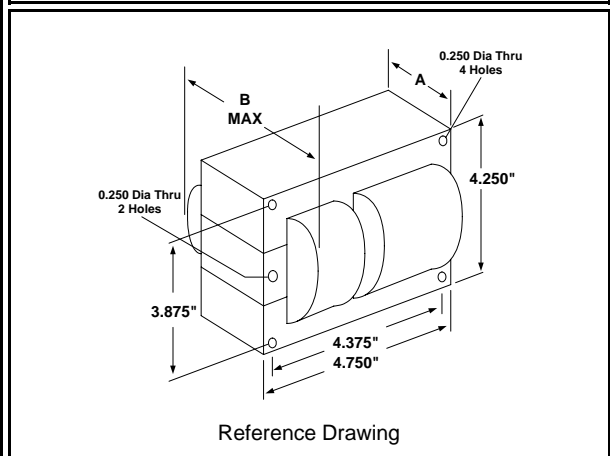
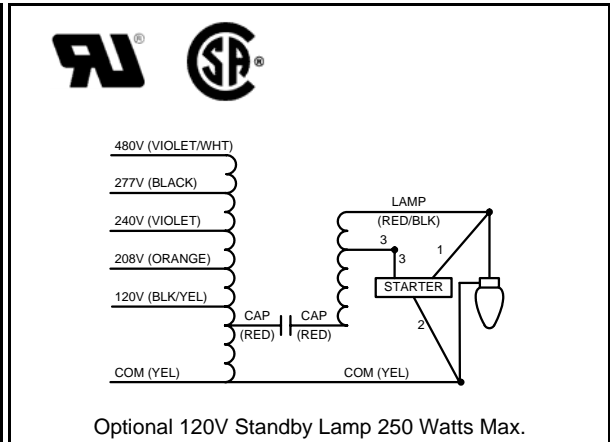
250W M153 / M138

Pulse Start Metal Halide

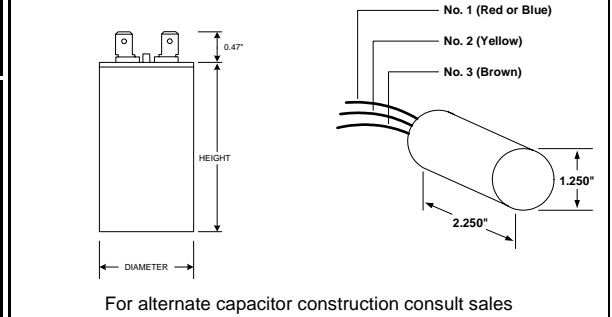
60Hz CWA

Specification Sheet

Input Volts	120	208	240	277	480
Regulation					
Line Volts	±10%	±10%	±10%	±10%	±10%
Lamp Watts	±10%	±10%	±10%	±10%	±10%
Power Factor (min)	90%	90%	90%	90%	90%
Input Watts	285 W	285 W	285 W	285 W	285 W
NOM. Open Circuit Voltage	290 V	290 V	290 V	290 V	290 V
Line Current (Amps)					
Operating	2.40	1.38	1.20	1.00	0.60
Open Circuit	2.45	1.42	1.22	1.05	0.62
Starting	1.33	0.75	0.64	0.56	0.32
Recommended Fuse (Amps)	8	5	5	3	2
Lamp Dropout Voltage (Line)	70 V	120 V	140 V	160 V	285 V
UL Temperature Ratings					
Insulation Class	H (180°C)	H (180°C)	H (180°C)	H (180°C)	H (180°C)
Temperature Code	A	A	A	A	A
MIN. Starting Temperature	-22°F -30°C	-22°F -30°C	-22°F -30°C	-22°F -30°C	-22°F -30°C
CAPACITOR Specifications					
Microfarads	14 uf	14 uf	14 uf	14 uf	14 uf
Volts (min.)	400 V	400 V	400 V	400 V	400 V
60Hz Test Procedures					
High Potential Test 1 Minute	2000 V	2000 V	2000 V	2000 V	2000 V
High Potential Test 1 Second	2500 V	2500 V	2500 V	2500 V	2500 V
Secondary Open Ckt Voltage (V)	260 - 320	260 - 320	260 - 320	260 - 320	260 - 320
Secondary Current Shorted (A)	2.00 - 2.70	2.00 - 2.70	2.00 - 2.70	2.00 - 2.70	2.00 - 2.70
Input Operating Current (A)	2.18 - 2.66	1.26 - 1.53	1.09 - 1.33	0.91 - 1.11	0.55 - 0.67
Input Open Circuit Current (A)	1.23 - 3.50	0.71 - 2.03	0.61 - 1.74	0.53 - 1.50	0.31 - 0.89
Input Short Circuit Current (A)	1.15 - 1.75	0.66 - 1.00	0.58 - 0.88	0.50 - 0.76	0.26 - 0.45
Core and Coil Specifications					
Dimension A	2.00 in	2.00 in	2.00 in	2.00 in	2.00 in
Dimension B	3.86 in	3.86 in	3.86 in	3.86 in	3.86 in
Weight	11.30 lbs	11.30 lbs	11.30 lbs	11.30 lbs	11.30 lbs
Lead Lengths (inches)	12-14	12-14	12-14	12-14	12-14
Coil Material (Pri. / Sec.):	Cu / Cu	Cu / Cu	Cu / Cu	Cu / Cu	Cu / Cu



Capacitor: R17058561	Ignitor: MH350-1A
Max Case Temp: 100 °C	Max Case Temp 105 °C
Height: 3.82 in	BTL: 10 ft
Width / Diameter: 1.65 in	



For alternate capacitor construction consult sales

Document #:	010-9910-03
Date:	11/19/2008
Status:	Production
Replaces Catalog #:	New Design

Data is based upon tests performed by Universal Lighting Technologies in a controlled environment and is representative of relative performance. Actual performance may vary depending on operating conditions. Specifications are subject to change without notice.

Universal Lighting Technologies

26 Century Blvd. Suite 500 - Nashville, TN 37214

Phone 1-800-225-5278 Fax 1-800-206-0035

www.unvlt.com

11/19/2008