

DESCRIPTION

The SSF Series is a functional and multi-purpose standard strip family that incorporates premium performance and construction durability. Designed with our easy-to-use Flip-Up socket design, the SSF significantly reduces installation time. The performance and application versatility of this series can be increased by incorporating symmetrical or asymmetrical reflectors. The SSF Series can be installed using various mounting methods and numerous options and accessories are available.

Catalog #		Type
Project		
Comments		Date
Prepared by		

SPECIFICATION FEATURES

Construction

Channel die formed cold rolled steel with numerous KOs for ease of installation. Groove for Tong Hanger. End plate quickly converts to snap-in channel connector for continuous row alignment. Lamp holder bracket flips in place. Channel/wireway cover secured with quarter-turn fasteners.

Channel/Wireway Cover

Die formed heavy gauge steel. Tight fit for ease of maintenance. Easily removed without use of tools. Optional reflector available incorporating silver technology enhancements. (Silver Lining) Consult Pre Sales Technical Support.

Electrical*

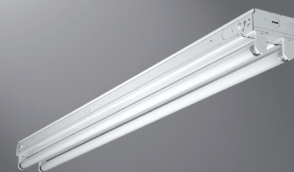
Ballasts are CBM/ETL Class "P" and are positively secured by mounting bolts. UL/CUL listed. Suitable for damp locations.

Finish

Multistage iron phosphate pretreatment ensures maximum bonding and rust inhibitor. Lighting upgrade, baked white enamel finish. Prepainted material is standard, PAF optional.

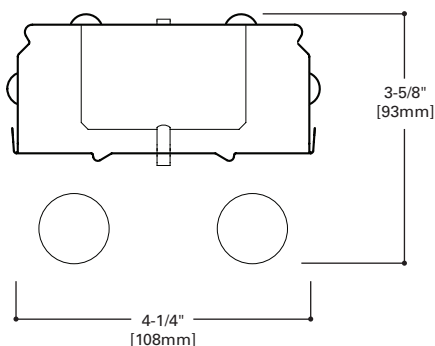
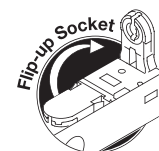
Application

The SSF Series can be the illumination solution in commercial, industrial, retail and residential applications. Fixtures can be used in storage/utility areas, coves, display cases, shops, task and general area lighting.

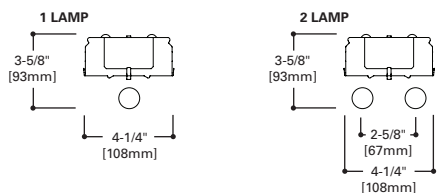


SSF
 148T8HO
 248T8HO
 196T8
 196T8HO
 296T8
 296T8HO

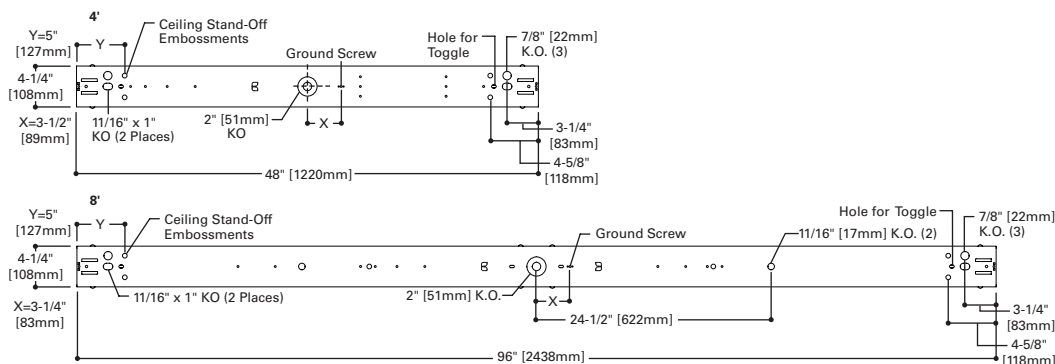
4' OR 8' STRIP
 1 OR 2 LAMPS
 SLIMLINE AND T8HO
 Standard Striplite



LAMP CONFIGURATIONS



MOUNTING DATA



ENERGY DATA

Input Watts:
EB Ballast & STD Lamps
 248T8HO (99)
 196T8 (62)
 296T8 (112)
 196T8HO (100)
 296T8HO (185)

Luminaire Efficacy Rating
LER = FS-82
Catalog Number: SSF-296T8
Yearly Cost of 1000 lumens,
3000 hrs at .08 KWH = \$2.93

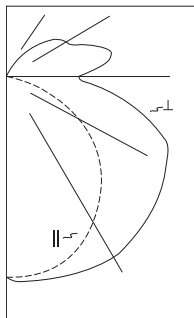
*Reference the lamp/ballast data in the Technical Section for specific lamp/ballast requirements.

LAMPS CONTAIN MERCURY. DISPOSE ACCORDING TO LOCAL, STATE OR FEDERAL LAWS

LINEAR DISCONNECT

Safe and convenient means of disconnecting power.

PHOTOMETRICS



SSF-296T8
Electronic Ballast

F96T8 Lamps
5950 Lumens

Spacing criterion:
(H) 1.3 x mounting
height, (L) 1.6 x
mounting height

Efficiency 93.9%

Test Report:
SS296T8.IES

LER = FS-82

Yearly Cost of 1000
lumens, 3000 hrs at
.08 KWH = \$2.93

Coefficients of Utilization

rc	Effective floor cavity reflectance								20%															
	80%				70%				50%				30%				10%				0%			
	rw	70	50	30	10	70	50	30	10	50	30	10	50	30	10	50	30	10	50	30	10	0		
RCR																								
0	107	107	107	107	102	102	102	102	94	94	94	85	85	85	78	78	78	74	74	74	74			
1	95	90	85	80	90	85	81	77	78	74	71	71	68	65	64	62	60	57	57	57	57			
2	85	76	69	63	81	73	66	60	66	61	56	60	56	52	54	51	48	45	45	45	45			
3	77	66	57	51	73	63	55	49	57	51	46	52	47	42	47	43	39	36	36	36	36			
4	70	58	49	42	66	55	47	41	50	43	38	46	40	35	41	37	33	30	30	30	30			
5	64	51	42	35	60	49	40	34	44	37	32	41	35	30	37	32	28	25	25	25	25			
6	59	46	37	30	56	44	35	29	40	33	28	36	30	26	33	28	24	22	22	22	22			
7	54	41	32	26	51	39	31	26	36	29	24	33	27	23	30	25	21	19	19	19	19			
8	50	37	29	23	48	36	28	23	33	26	21	30	24	20	28	22	19	17	17	17	17			
9	47	34	26	21	44	33	25	20	30	23	19	28	22	18	25	20	17	15	15	15	15			
10	44	31	24	18	42	30	23	18	28	21	17	25	20	16	23	19	15	13	13	13	13			

Zonal Lumen Summary

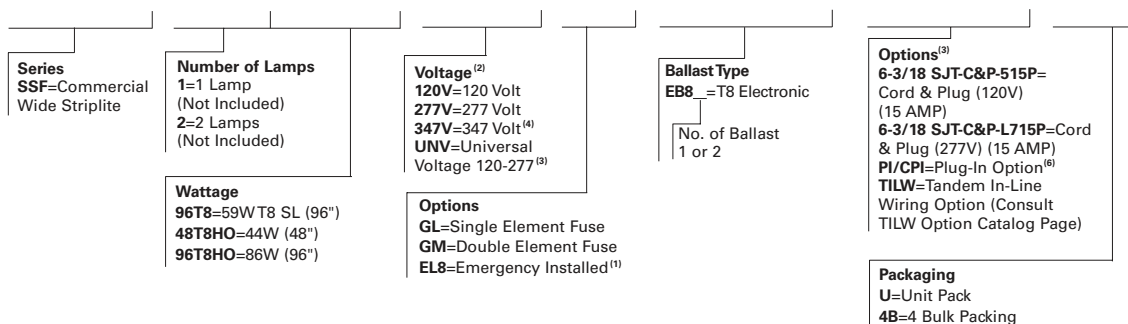
Zone	Lumens	%Lamp	%Fixture
0-30	1703	14.3	15.2
0-40	2902	24.4	26.0
0-60	5683	47.8	50.8
0-90	8853	74.4	79.2
90-180	2326	19.5	20.8
0-180	11179	93.9	100.0

Candela

Angle	Along H	45°	Across L
0	2075	2075	2075
10	2053	2056	2115
20	1944	2016	2143
30	1769	1970	2165
40	1533	1881	2112
50	1238	1712	2020
60	903	1506	1916
70	537	1325	1713
80	196	931	1222
90	0	499	764
100	0	749	1108
110	0	533	1001
120	0	475	758
130	0	330	621
140	0	172	410
150	0	50	201
160	0	2	27
170	0	0	0
180	0	0	0

ORDERING INFORMATION

SAMPLE NUMBER: SSF-248-120V-EB81-U



NOTES: (1) For other emergency options, specify manufacturer part number and consult the factory for availability (example: ELI80). (2) Products also available in non-US voltages and frequencies for international markets. (3) Not Available when specifying emergencies, voltage must be specific.

Specifications & dimensions subject to change without notice. Consult your Eaton Representative for availability and ordering information.

SHIPPING DATA

Catalog No.	Wt.
SSF-148T8	15 lbs.
SSF-196T8	21 lbs.
SSF-248T8	15 lbs.
SSF-296T8	21 lbs.