



## Spiral Wound Gaskets

---



Spiral wound gaskets are constructed with alternating components of formed metal wire and soft filler material. This forms a very effective seal when under proper flange compression. The metal strip has a V-shaped crown which gives the spiral wound gaskets increased resiliency under varying conditions. The wire materials and fillers can vary in order to meet the compatibility requirements of different chemical environments. Gasket construction and dimensions can be modified to provide an effective seal when available compression bonds are limited.

Spiral wound gaskets may have a centering ring and/or an inner ring. The outer centering ring aids in locating the gasket on the flange. The inner ring gives the gasket additional radial strength. It also helps to reduce flange erosion and protect the sealing element.

Spiral wound gaskets are widely used throughout refineries, chemical processing plants, power generation, aerospace, and other applications requiring a strong, resilient seal. New applications continue to be added with increasing environmental regulations and industry requirements.

**Custom Gaskets** - Spiral wound gaskets can be custom fabricated to meet a wide range of dimensional requirements. Call us with your specific application or specifications, and we will assist you in obtaining the spiral wound gasket to meet your needs.

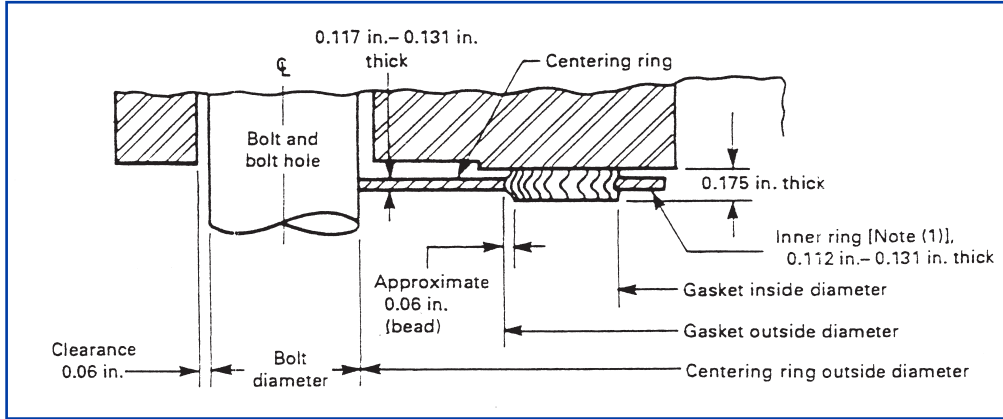


**“America’s Most Responsive Warehouse”**

**Let us show you why!**



## ASME B16.20 Spiral Wound Gasket Dimensions (ASME/ANSI B16.5 Flanges)



Flange Size (NPS)	Outside Diameter of Gasket		Inside Diameter of Gasket by Class								Outside Diameter of Centering Ring by Class					
	Classes 150, 300, 400, 600	Classes 900, 1500, 2500	150	300	400	600	900	1500	2500	150	300	400	600	900	1500	2500
1/2"	1.25	1.25	0.75	0.75	(2)	0.75	(2)	0.75	0.75	1.88	2.13	(2)	2.13	(2)	2.50	2.75
3/4"	1.56	1.56	1.00	1.00	(2)	1.00	(2)	1.00	1.00	2.25	2.63	(2)	2.63	(2)	2.75	3.00
1"	1.88	1.88	1.25	1.25	(2)	1.25	(2)	1.25	1.25	2.63	2.88	(2)	2.88	(2)	3.13	3.38
1-1/4"	2.38	2.38	1.88	1.88	(2)	1.88	(2)	1.56	1.56	3.00	3.25	(2)	3.25	(2)	3.50	4.13
1-1/2"	2.75	2.75	2.13	2.13	(2)	2.13	(2)	1.88	1.88	3.38	3.75	(2)	3.75	(2)	3.88	4.63
2"	3.38	3.38	2.75	2.75	(2)	2.75	(2)	2.31	2.31	4.13	4.38	(2)	4.38	(2)	5.63	5.75
2-1/2"	3.88	3.88	3.25	3.25	(2)	3.25	(2)	2.75	2.75	4.88	5.13	(2)	5.13	(2)	6.50	6.63
3"	4.75	4.75	4.00	4.00	(2)	4.00	3.75	3.63	3.63	5.38	5.88	(2)	5.88	6.63	6.88	7.75
4"	5.88	5.88	5.00	5.00	4.75	4.75	4.75	4.63	4.63(1)	6.88	7.13	7.00	7.63	8.13	8.25	9.25
5"	7.00	7.00	6.13	6.13	5.81	5.81	5.81	5.63	5.63(1)	7.75	8.50	8.38	9.50	9.75	10.00	11.00
6"	8.25	8.25	7.19	7.19	6.88	6.88	6.88	6.75	6.75(1)	8.75	9.88	9.75	10.50	11.38	11.13	12.50
8"	10.38	10.13	9.19	9.19	8.88	8.88	8.75	8.50	8.50(1)	11.00	12.13	12.00	12.63	14.13	13.88	15.25
10"	12.50	12.25	11.31	11.31	10.81	10.81	10.88	10.50	10.63(1)	13.38	14.25	14.13	15.75	17.13	17.13	18.75
12"	14.75	14.50	13.38	13.38	12.88	12.88	12.75	12.75(1)	12.50(1)	16.13	16.63	16.50	18.00	19.63	20.50	21.63
14"	16.00	15.75	14.63	14.63	14.25	14.25	14.00	14.25(1)	(2)	17.75	19.13	19.00	19.38	20.50	22.75	(2)
16"	18.25	18.00	16.63	16.63	16.25	16.25	16.25	16.00(1)	(2)	20.25	21.25	21.13	22.25	22.63	25.25	(2)
18"	20.75	20.50	18.69	18.69	18.50	18.50	18.25	18.25(1)	(2)	21.63	23.50	23.38	24.13	25.13	27.75	(2)
20"	22.75	22.50	20.69	20.69	20.50	20.50	20.50	20.25(1)	(2)	23.88	25.75	25.50	26.88	27.50	29.75	(2)
24"	27.00	26.75	24.75	24.75	24.75	24.75	24.75(1)	24.25(1)	(2)	28.25	30.50	30.25	31.13	33.00	35.50	(2)

Notes: (1) Inner ring required.  
 (2) There are no Class 400 flanges in NPS 1/2 through NPS 3 (use Class 600), Class 900 flanges in NPS 1/2 through NPS 2-1/2 (use Class 1500), or Class 2500 flanges NPS 14 and larger.  
 (3) Teflon® filled gaskets require an inner ring.

**STYLE 7GSW4****Spiral Wound Gaskets - 304 SS and Graphite  
1/8" Carbon Steel Centering Ring**

Size (inches)	150# Part No.	300# Part No.	400# Part No.	600# Part No.	900# Part No.	1500# Part No.
1/4"	7GSW4A0025	7GSW4A0025	7GSW4A0025	7GSW4A0025		
1/2"	7GSW4A0050	7GSW4B0050	7GSW4B0050	7GSW4B0050	7GSW4E0050	7GSW4E0050
3/4"	7GSW4A0075	7GSW4B0075	7GSW4B0075	7GSW4B0075	7GSW4E0075	7GSW4E0075
1"	7GSW4A0100	7GSW4B0100	7GSW4B0100	7GSW4B0100	7GSW4E0100	7GSW4E0100
1 1/4"	7GSW4A0125	7GSW4B0125	7GSW4B0125	7GSW4B0125	7GSW4E0125	7GSW4E0125
1 1/2"	7GSW4A0150	7GSW4B0150	7GSW4B0150	7GSW4B0150	7GSW4E0150	7GSW4E0150
2"	7GSW4A0200	7GSW4B0200	7GSW4B0200	7GSW4B0200	7GSW4E0200	7GSW4E0200
2 1/2"	7GSW4A0250	7GSW4B0250	7GSW4B0250	7GSW4B0250	7GSW4E0250	7GSW4E0250
3"	7GSW4A0300	7GSW4B0300	7GSW4B0300	7GSW4B0300	7GSW4E0300	7GSW4F0300
4"	7GSW4A0400	7GSW4B0400	7GSW4C0400	7GSW4D0400	7GSW4E0400	7GSW4F0400
5"	7GSW4A0500	7GSW4B0500	7GSW4C0500	7GSW4D0500	7GSW4E0500	7GSW4F0500
6"	7GSW4A0600	7GSW4B0600	7GSW4C0600	7GSW4D0600	7GSW4E0600	7GSW4F0600
8"	7GSW4A0800	7GSW4B0800	7GSW4C0800	7GSW4D0800	7GSW4E0800	7GSW4F0800
10"	7GSW4A1000	7GSW4B1000	7GSW4C1000	7GSW4D1000	7GSW4E1000	7GSW4F1000
12"	7GSW4A1200	7GSW4B1200	7GSW4C1200	7GSW4D1200	7GSW4E1200	7GSW4F1200
14"	7GSW4A1400	7GSW4B1400	7GSW4C1400	7GSW4D1400	7GSW4E1400	7GSW4F1400
16"	7GSW4A1600	7GSW4B1600	7GSW4C1600	7GSW4D1600	7GSW4E1600	7GSW4F1600
18"	7GSW4A1800	7GSW4B1800	7GSW4C1800	7GSW4D1800	7GSW4E1800	7GSW4F1800
20"	7GSW4A2000	7GSW4B2000	7GSW4C2000	7GSW4D2000	7GSW4E2000	7GSW4F2000
24"	7GSW4A2400	7GSW4B2400	7GSW4C2400	7GSW4D2400	7GSW4E2400	7GSW4F2400

Note: Part numbers in shaded areas are not normally stock items. Special order.

**STYLE 7GSW6****Spiral Wound Gaskets - 316L SS and Graphite  
1/8" Carbon Steel Centering Ring**

Size (inches)	150# Part No.	300# Part No.	400# Part No.	600# Part No.	900# Part No.	1500# Part No.
1/4"	7GSW6A0025	7GSW6A0025	7GSW6A0025	7GSW6A0025		
1/2"	7GSW6A0050	7GSW6B0050	7GSW6B0050	7GSW6B0050	7GSW6E0050	7GSW6E0050
3/4"	7GSW6A0075	7GSW6B0075	7GSW6B0075	7GSW6B0075	7GSW6E0075	7GSW6E0075
1"	7GSW6A0100	7GSW6B0100	7GSW6B0100	7GSW6B0100	7GSW6E0100	7GSW6E0100
1 1/4"	7GSW6A0125	7GSW6B0125	7GSW6B0125	7GSW6B0125	7GSW6E0125	7GSW6E0125
1 1/2"	7GSW6A0150	7GSW6B0150	7GSW6B0150	7GSW6B0150	7GSW6E0150	7GSW6E0150
2"	7GSW6A0200	7GSW6B0200	7GSW6B0200	7GSW6B0200	7GSW6E0200	7GSW6E0200
2 1/2"	7GSW6A0250	7GSW6B0250	7GSW6B0250	7GSW6B0250	7GSW6E0250	7GSW6E0250
3"	7GSW6A0300	7GSW6B0300	7GSW6B0300	7GSW6B0300	7GSW6E0300	7GSW6F0300
4"	7GSW6A0400	7GSW6B0400	7GSW6C0400	7GSW6D0400	7GSW6E0400	7GSW6F0400
5"	7GSW6A0500	7GSW6B0500	7GSW6C0500	7GSW6D0500	7GSW6E0500	7GSW6F0500
6"	7GSW6A0600	7GSW6B0600	7GSW6C0600	7GSW6D0600	7GSW6E0600	7GSW6F0600
8"	7GSW6A0800	7GSW6B0800	7GSW6C0800	7GSW6D0800	7GSW6E0800	7GSW6F0800
10"	7GSW6A1000	7GSW6B1000	7GSW6C1000	7GSW6D1000	7GSW6E1000	7GSW6F1000
12"	7GSW6A1200	7GSW6B1200	7GSW6C1200	7GSW6D1200	7GSW6E1200	7GSW6F1200
14"	7GSW6A1400	7GSW6B1400	7GSW6C1400	7GSW6D1400	7GSW6E1400	7GSW6F1400
16"	7GSW6A1600	7GSW6B1600	7GSW6C1600	7GSW6D1600	7GSW6E1600	7GSW6F1600
18"	7GSW6A1800	7GSW6B1800	7GSW6C1800	7GSW6D1800	7GSW6E1800	7GSW6F1800
20"	7GSW6A2000	7GSW6B2000	7GSW6C2000	7GSW6D2000	7GSW6E2000	7GSW6F2000
24"	7GSW6A2400	7GSW6B2400	7GSW6C2400	7GSW6D2400	7GSW6E2400	7GSW6F2400

Note: Part numbers in shaded areas are not normally stock items. Special order.