

BURNDY® Products FCI

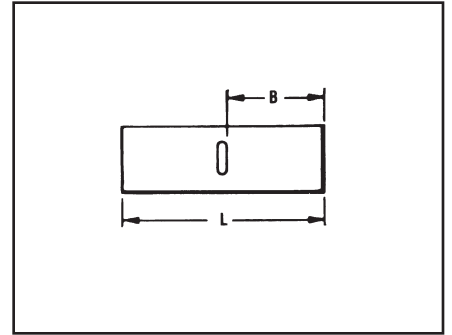
Compression

TYPE YS-L

HYLINK™ SPLICE STANDARD BARREL

COPPER COMPRESSION

UL Listed 90° C,
600 Volts to 35 KV ◆



Features and Benefits

- Standard barrel length.
◇ Ideal for limited space applications while providing ample barrel length for proper crimp.
- Four (4) center conductor stops.
◇ Provides a center wire stop for proper conductor insertion.

Catalog Number	Conductor		Dimensions		Dieless (# of crimps)	Installation Tooling ▲						Wire Strip Length	
	AWG	*** MM ²	L	B		Mechanical			Y35, ■ Y39, Y750, Y46*		▲ Die Index & Embossment		
						Y1MRTC Y2MR	MD7-34R	MD6 OUR840	Die Number (# crimps)	Color Code			
YS8C-L BOX	8 str.	10	1.00	.41	Y81KFT (1) Y81KFTMBH (1) PAT81KFT-18V (1)	Y2MR (1)	W8CVT (1)	X8CRT (1)	U8CRT (1)	Red	49	1/2"	
YS6C-L BOX	6 str.	—	1.75	.81		Y1MRTC (1)	W5CVT (1)	X5CRT (1)	U5CRT (1)	Blue	7 or 374	7/8"	
YS5C-L BOX	5 str.	16	1.90	.81		Y2MR (2) Y1MRTC (2)	W4CVT (1)	X4CRT (1)	U4CRT (1)	Gray	8 or 346	7/8"	
YS4C-L BOX	4 str.	—	1.75	.81		Y1MRTC (2)	—	—	U3CRT (1)	White	9	15/16"	
YS3C-L	3 str.	25	2.05	.88		Y2MR (2) Y1MRTC (2)	W2CVT (1)	X2CRT (1)	U2CRT (1)	Brown	10	15/16"	
YS2C-L BOX	2 str.	—	2.00	.88		Y1MRTC (2)	W1CVT (1)	X1CRT (1)	U1CRT-1 (1)	Green	11 or 375	15/16"	
YS1C-L BOX	1 str.	50	2.06	.88		Y81KFT (2) Y81KFTMBH (2) PAT81KFT-18V (2)	—	W25VT (2)	X25RT (2)	U25RT (1)	Pink	12 or 348	15/16"
YS25-L BOX	1/0 str.	—	2.08	.88			—	W26VT (2)	X26RT (2)	U26RT (1)	Black	13	1"
YS26-L BOX	2/0 str.	70	2.17	.94			—	W27VT (2)	X27RT (2)	U27RT (1)	Orange	14	1-1/16"
YS27-L BOX	3/0 str.	95	2.30	1.00			—	W28VT (2)	X28RT (2)	U28RT (1)	Purple	15	1-1/16"
YS28-L BOX	4/0 str.	—	2.32	1.00	—		W29VT (2)	—	U29RT (1)	Yellow	16	1-1/8"	
YS29-L BOX	250 kcmil	120	2.46	1.06	—		W30VT (2)	—	U30RT (2)	White	17 or 298	1-1/8"	
YS30-L	300 kcmil	150	2.47	1.06	—		W31VT (2)	—	U31RT (2)	Red	18 or 324	1-3/16"	
YS31-L	350 kcmil	185	2.60	1.12	—		W32VT (2)	—	U32RT (2)	Blue	19 or 470	1-1/4"	
YS32-L	400 kcmil	—	2.74	1.19	—		W34VT (2)	—	U34RT (2)	Brown	20 or 299	1-7/16"	
YS34-L	500 kcmil	240	3.15	1.38	—		—	—	U36RT (2)	Green	22 or 472	1-7/16"	
YS36-L	600 kcmil	300	3.22	1.38	Y81KFT (3)	—	—	U38RT (2)	Pink	400	1-7/16"		
YS38-L	700 kcmil	—	3.22	1.38	Y81KFTMBH (3)	—	—	U39RT (2)	Black	24	1-11/16"		
YS39-L	750 kcmil	—	3.72	1.62	PAT81KFT-18V (3)	—	—	P44RT** (2)	White	27	1-15/16"		
YS44-L	1000 kcmil	500	4.28	1.88	—	—	—	—	—	—	—	—	

▲ See tooling section of this catalog for complete tool and die listings.

* Use PUADP-1 adapter with "U" dies in Y46 HYPRESS™.

** P44RT for use with Y46 HYPRESS™ only. PUADP-1 adaptor not required.

*** The MM² conductor sizes listed are the recommendations for Class 2 conductor.

■ The maximum size for the Y35 is 400 kcmil insulated code cable.

■ For applications greater than 2000 Volts consult cable manufacturer for voltage stress relief instructions.

Note: All dimensions shown are for reference only.