

Core & Coil (71A) MH > 450W

CORE & COIL HID MH BAL 1000W M47 QUAD KIT

The basic ballast is the open core and coil which is most often used as a component within a lighting luminaire. The core and coil also forms the nucleus of Philips Advance's five other ballast configurations.

Product data

• General Characteristics

Lamp Type	1000W MH
Number of Lamps	1 piece
Line Voltage	120/208/240/277 V
Input Current (Operating)	9/5.2/4.5/3.9 A
Line Frequency	60 Hz
Circuit Type	CWA
Ballast Type	Magnetic HID
Base Model	71A6572
Core Size	4 1/4 x 6 (2 Coil)
Suitable for Outdoor use?	Yes
Ignitor Catalog Number	NA
Ignitor Temp Rating	NA
Capacitor value [µF]	24 MFD
Capacitor Catalog Number	MD2409000
Capacitor Requirements	480V
Capacitor Temp Rating	90°C
Capacitor Dia/Oval Dim	1.75 in
Capacitor Height	3.9 in
Family Name	Core & Coil MH High Power

• Operating Characteristics

Automatic restart	No
Input Voltage at Lamp Dropout	84/146/168/194 V
Nominal Open Circuit Voltage	430 V
Inp. Current (Open Circuit)	4.5/2.7/2.3/2.2 A

Input Current (Starting)	7.8/4/3.7/3.2 A
Input Current Short Circuit	5.6-8.6/3.2-4.8/2.8-4.3/2.4-3.6 V
Secondary ShortCircuit Current	5.2-6.4 A
Input Power Gear	1080 W
Constant wattage deviation	10%
Ballast factor	1 -
Power Factor	0.90

• Wiring Characteristics

Wire Striplength	0.5 mm
Wire Length by Color	12"
Wire Type	Stranded
Allowed Wiring Config(Remote)	Yes
Max Dist. Ball to Lamp(Remote)	Determined by AWG used
Recommended Fuse	20/15/10/10 A

• System Chars on driver level

Rated Lamp Watts	1000W
------------------	-------

• Product Dimensions

Length A1	6 in
Length A2	5.4 in
Length A3	4.4 in
Width B1	4.3 in
Coil Depth C1	5 in
Stack Height C2	3.05 in
Width B2	3.9 in

PHILIPS

Core & Coil (71A) MH > 450W

• Approval & Application Chars

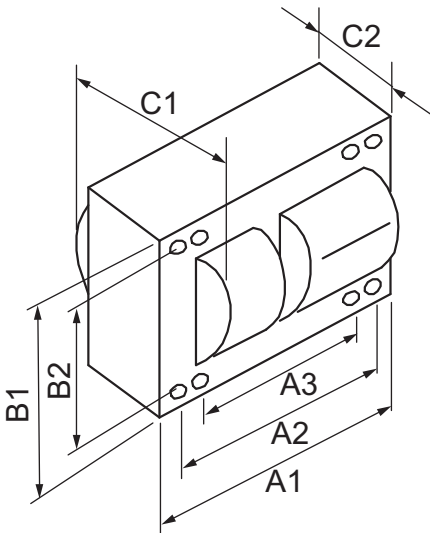
Approbation Marks	ULR, CSA, RoHS
CE marking	No
VDE certificate	No
UL Listed	No
CSA certificate	Yes
CCC certificate	No
China Quality Certificate	No
Temperature marking	D/B/B/B
CEC Listing	No
cUL certificate	No
EISA	No
ETL Certificate	No
FIDE Certificate	No
NOM certificate	No
RoHS Compliant	Yes
SASO Certificate	No
UL Recognized	Yes

ANSI Code	M47
HiPot Test (1 minute)	2000 V
HiPot Test (2 seconds)	2500 V
Open Circ Voltage Test (Volts)	385-475 V
UL Insulation Class	H(180°C)
UL Temperature Code	1029D

• Product Data

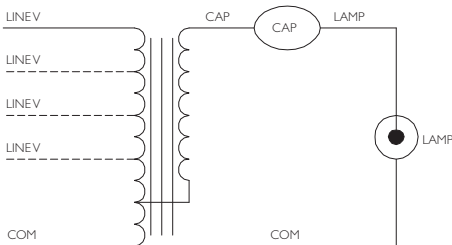
Product number	71A6572001
Full product name	MH BAL 1000W M47 QUAD KIT
Short product name	MH BAL 1000W M47 QUAD KIT
Pieces per Sku	1
Skus/Case	1
Bar code on pack	781087657218
Bar code on case	30781087657219
Logistics code(s)	913700525609
eop_net_weight_pp	9.676 kg

Dimensional drawing



CORE & COIL HID MH BAL 1000W M47 QUAD KIT

Product	A1 (Norm)	A2 (Norm)	A3 (Norm)	B1 (Norm)	B2 (Norm)	C1 (Norm)	C2 (Norm)	C3 (Norm)
MH BAL 1000W M47 QUAD KIT	6	5.4	4.4	4.3	3.9	5	3.05	-





© 2014 Koninklijke Philips N.V. (Royal Philips)
All rights reserved.

Specifications are subject to change without notice. Trademarks are the property of Koninklijke Philips N.V. (Royal Philips) or their respective owners.

www.philips.com/lighting

2014, March 26
data subject to change