

T&B Liquidtight Strain Relief Cord Connectors

The T&B Steel Liquidtight Strain Relief Cord Connector is suited for most general control and power cable applications. This series features sturdy neoprene bushings and tapered hub threads.

Application

- Provide means for passing a cord cable (armored or unarmored) into an enclosure, through a bulkhead or into a rigid conduit.
- Form a mechanical grip and water and/or oil-resistant seal for cord and unarmored or jacketed armored round cables.
- Form a non-slip connection or termination for flexible cord, cable (armored or unarmored).
- Provide grounding continuity of cable armor.

Cord & Cable Type

- S, SO, SV, ST, STD, SJ, SJO, SJT, SJTO, SVD

Features

- Extended range with superior strain relief.

- Reduced overall size, fits into tighter spaces.
- Gland nut designed to restrict cable bending.

Materials

Body: Steel-2920 series, Malleable Iron-4920 & 4960 series

Gland Nut, Grip: Steel-all series

Bushing: Rubber

Environment Classification

- Ordinary Locations
- Wet or dry locations

Range

Cord Range .125" to .950"

Hub Size Range 1/2" to 1"

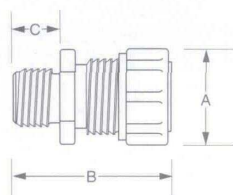
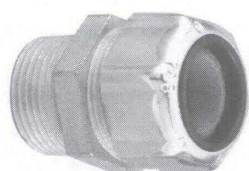


Fig. 1

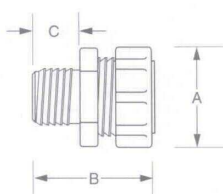


Fig. 2

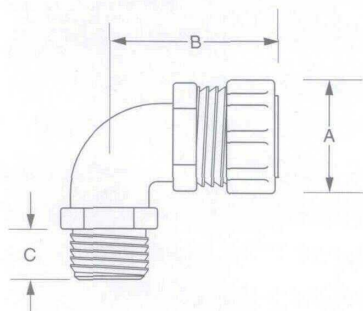
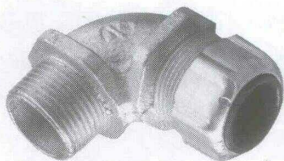
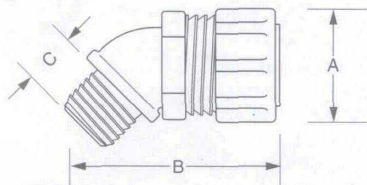
Liquidtight Strain Relief Connectors

Cat. No.	Cable Size Range min.-max.	Hub Size	Throat Dia. (min.)	Fig.	Dimensions (in.)		
					A	B	C
2516†	(.060-.125)	1/4"	23/64"	2	33/64	1 1/16	15/32
2517†	(.120-.250)	1/4"	23/64"	2	13/64	1 1/16	15/32
2518†	(.060-.150)	3/8"	29/64"	2	31/32	1 1/2	15/32
2519†	(.150-.300)	3/8"	29/64"	2	31/32	1 1/2	15/32
2520	(.125-.250)	1/2"	9/16"	1		1 21/32	9/16
2521	(.250-.375)	1/2"	9/16"	1	1 1/8	1 21/32	9/16
2522	(.375-.500)	1/2"	9/16"	1	1 1/8	1 21/32	9/16
2523	(.450-.560)	1/2"	9/16"	1	1 1/8	1 21/32	9/16
2524*	(.500-.625)	1/2"	5/8"	1	1 3/8	1 3/4	19/32
2525*	(.625-.750)	1/2"	5/8"	1	1 3/8	1 3/4	19/32
2530	(.125-.250)	3/4"	13/16"	1	1 3/8	1 3/4	9/16
2531	(.250-.375)	3/4"	13/16"	1	1 3/8	1 3/4	9/16
2532	(.375-.500)	3/4"	13/16"	1	1 3/8	1 3/4	9/16
2534	(.500-.625)	3/4"	13/16"	1	1 3/8	1 3/4	9/16
2535	(.625-.750)	3/4"	13/16"	1	1 3/8	1 3/4	9/16
2536*	(.750-.880)	3/4"	3/4"	1	1 3/8	1 15/16	5/8
2541	(.250-.375)	1"	49/64"	1	1 11/16	1 23/32	9/16
2542	(.375-.500)	1"	49/64"	1	1 11/16	1 23/32	9/16
2544	(.500-.625)	1"	49/64"	1	1 11/16	1 23/32	9/16
2545	(.625-.750)	1"	49/64"	1	1 11/16	1 23/32	9/16
2546	(.750-.880)	1"	63/64"	1	1 11/16	1 7/8	9/16
2547	(.875-.985)	1"	63/64"	1	1 11/16	1 7/8	9/16
2548*	(.880-1.065)	1"	29/32"	1	2 1/8	2 3/8	25/32
2549*	(1.065-1.205)	1"	29/32"	1	2 1/8	2 3/8	25/32
2558	(.880-1.065)	1 1/4"	1 1/64"	1	2 1/8	2 5/8	5/8
2559	(1.065-1.205)	1 1/4"	1 1/64"	1	2 1/8	2 5/8	5/8
2556*	(1.187-1.375)	1 1/4"	1 1/4"	1	2 5/16	2 1/2	13/16
2557*	(1.375-1.485)	1 1/4"	1 1/4"	1	2 5/16	2 1/2	13/16
2562	(.812-1.000)	1 1/2"	1 7/16"	1	2 5/16	2 1/2	13/16
2563	(1.000-1.187)	1 1/2"	1 7/16"	1	2 5/16	2 7/16	1 1/16
2564	(1.187-1.375)	1 1/2"	1 7/16"	1	2 1/4	2 7/16	1 1/16
2565*	(1.375-1.625)	1 1/2"	1 23/64"	1	2 3/4	2 5/8	13/16
2573	(1.125-1.375)	2"	1 7/8"	1	2 3/4	2 5/8	13/16
2574	(1.375-1.625)	2"	1 7/8"	1	2 3/4	2 5/8	13/16
2575	(1.625-1.875)	2"	1 7/8"	1	2 3/4	3 1/2	13/16
2576*	(1.750-1.965)	2"	1 29/32"	1	3 7/32	3 1/2	13/16
2577*	(1.937-2.187)	2"	1 29/32"	1	3 7/32	3 1/2	13/16
2584	(1.750-1.965)	2 1/2"	2"	1	3 3/32	3 3/4	1 1/32
2585	(1.937-2.187)	2 1/2"	2"	1	3 7/32	3 3/4	1 1/32
2586*	(2.156-2.360)	2 1/2"	2 5/32"	1	3 9/16	4 1/4	1 1/32
2587*	(2.350-2.565)	2 1/2"	2 5/32"	1	3 9/16	4 1/4	1 1/32
2592	(2.156-2.360)	3"	2 13/32"	1	3 9/16	4 1/4	1 1/32
2593	(2.350-2.565)	3"	2 13/32"	1	3 9/16	4 1/4	1 1/32
2594	(2.535-2.750)	3"	2 13/32"	1	3 9/16	4 1/4	1 1/32
2595*	(2.735-2.985)	3"	2 13/16"	1	4 1/16	4 13/16	1 1/8
2596*	(2.970-3.220)	3"	2 13/16"	1	4 1/16	4 13/16	1 1/8

For wire mesh grips refer to pages 116, 152.

T&B Conduit Fittings

Flexible Cords and Cable Fittings



Liquidtight Strain Relief Connectors – 45°

Cat. No.	Cable Size min.-max.	Hub Size	Dimensions (in.)			Throat Dia.
			A	B	C	
2200	(.125-.250)	½"	1⅞	1⅞	¾	¾
2201	(.250-.375)	½"	1⅞	1⅞	¾	¾
2202	(.375-.500)	½"	1⅞	1⅞	¾	¾
2203	(.450-.560)	½"	1⅞	1⅞	¾	¾
2204*	(.500-.625)	½"	1⅞	1⅞	¾	¾
2205*	(.625-.750)	½"	1⅞	1⅞	¾	¾
2206	(.125-.250)	¾"	1⅞	1⅞	⅝	2⅝
2207	(.250-.375)	¾"	1⅞	1⅞	⅝	2⅝
2208	(.375-.500)	¾"	1⅞	1⅞	⅝	2⅝
2209	(.500-.625)	¾"	1⅞	1⅞	⅝	2⅝
2210	(.625-.750)	¾"	1⅞	1⅞	⅝	2⅝
2211*	(.750-.880)	¾"	1⅞	1½	1½	¾
2213	(.375-.500)	1"	1⅞	1½	2⅝	1⅝
2214	(.500-.625)	1"	1⅞	1½	2⅝	1⅝
2215	(.625-.750)	1"	1⅞	1½	2⅝	1⅝
2216	(.750-.875)	1"	1⅞	1⅝	2⅝	1⅝
2217*	(.875-.985)	1"	1⅞	1⅝	2⅝	1⅝
2218*	(.880-1.065)	1"	2⅞	1⅝	2⅝	1⅝
2219*	(1.065-1.205)	1"	2⅞	1⅝	2⅝	1⅝
2220*	(.880-1.065)	1¼"	2⅞	1⅝	1⅝	1⅝
2221*	(1.065-1.205)	1¼"	2⅞	1⅝	1⅝	1⅝
2222*	(1.187-1.375)	1¼"	2⅞	2¼	1⅝	1⅝
2223*	(1.375-1.485)	1¼"	2⅞	2¼	1⅝	1⅝

Liquidtight Strain Relief Connectors – 90°

Cat. No.	Cable Size min.-max.	Hub Size	Dimensions (in.)			Throat Dia.
			A	B	C	
2267	(.125-.250)	½"	1⅞	1⅝	¾	1⅝
2268	(.250-.375)	½"	1⅞	1⅝	¾	1⅝
2269	(.375-.500)	½"	1⅞	1⅝	¾	1⅝
2270	(.450-.560)	½"	1⅞	1⅝	¾	1⅝
2250*	(.500-.625)	½"	1⅞	1⅝	¾	3⅝
2251*	(.625-.750)	½"	1⅞	1⅝	¾	3⅝
2252	(.125-.250)	¾"	1⅞	1⅝	½	2⅝
2271	(.250-.375)	¾"	1⅞	1⅝	½	2⅝
2272	(.375-.500)	¾"	1⅞	1⅝	½	2⅝
2273	(.500-.625)	¾"	1⅞	1⅝	½	2⅝
2274*	(.620-.750)	¾"	1⅞	1⅝	½	2⅝
2253*	(.750-.880)	¾"	1⅞	1⅝	½	2⅝
2254	(.375-.500)	1"	1⅞	2	⅝	1
2255	(.500-.625)	1"	1⅞	2	⅝	1
2256*	(.625-.750)	1"	1⅞	2	⅝	1
2275	(.750-.875)	1"	1⅞	2	⅝	1
2276	(.875-.985)	1"	1⅞	2	⅝	1
2257*	(.880-1.065)	1"	2⅞	2⅝	2⅝	1⅝
2258*	(1.065-1.205)	1"	2⅞	2⅝	2⅝	1⅝
2277	(.880-1.065)	1¼"	2⅞	2⅝	1⅝	1⅝
2278	(1.065-1.205)	1¼"	2⅞	2⅝	1⅝	1⅝
2279*	(1.187-1.375)	1¼"	2⅞	2⅝	1⅝	1⅝
2280*	(1.375-1.485)	1¼"	2⅞	2⅝	1⅝	1⅝
2281	(.812-1.000)	1½"	2⅞	2⅝	1⅝	1⅝
2282	(1.000-1.187)	1½"	2⅞	2⅝	1⅝	1⅝
2283*	(1.187-1.375)	1½"	2⅞	2⅝	1⅝	1⅝
2284	(1.125-1.375)	2"	2⅞	3¼	2⅝	1⅝
2285	(1.375-1.625)	2"	2⅞	3¼	2⅝	1⅝
2286	(1.625-1.875)	2"	2⅞	3¼	2⅝	1⅝

* Remove sufficient outer covering of cable to permit conductors to pass thru connector body.

† U.L. not applicable.

Complies with JIC standards.

U.L. Listed as liquidtight strain relief, and outlet bushing. CSA certified watertight.

Temperature rating 105°C.

Suitable for hazardous locations use where general purpose equipment is specifically permitted per NEC Section 501-4(b).

U.L. File No. E 13938

CSA File No. 589 & 4484

For wire mesh grips refer to pages 116, 152.

Thomas & Betts