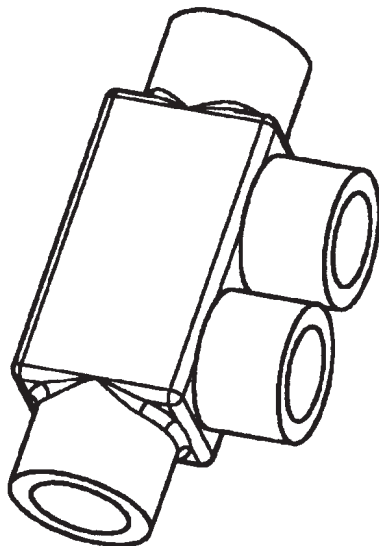


# CSR CONNECTOR



CSR 500	2/0 - 500	2	3/8	6 1/2	1 5/8	2 7/8	2
CSR 350	# 6 - 350	2	3/8	4 3/4	1 3/8	2 1/2	1
CSR 250	# 6 - 250	2	3/8	4 1/8	1 1/8	2 1/8	1
CSR 2/0	# 14 - 2/0	2	3/8	2 3/4	7/8	1 3/8	1
CATALOG NUMBER	CONDUCTOR RANGE	# OUTLETS	HEZ SIZE	LENGTH	WIDTH	HEIGHT	SCREWS PER SIDE

**Thomas & Betts**  
www.tab.com

**DESCRIPTION: ALUMINUM MULTI-TAP ENCAPSUATED  
ONE AND TWO WAYS CONFIGURATOR**

SHEET NO:

3 OF 3

REV. NO:

0

DRAWING NO:

**WSD-000518**