

SystemOne Flush

Cover



Features

- Hinged Doors open 180 degrees flush to carpet flange or tile
- Locking studs allow each door to be secured independently
- Die cast aluminum cover construction for enhanced durability
- ADA Compliant
- Powder Coat Finish

Ordering Information

- Compatible with S1PFB, S1SFB, S1SFBCR, S1SFBV, S1SFBVCR, S1CFB, S1PTFIT, S1PT4X4FIT, S1PTAVFIT



Catalog Number S1CFCAL	UPC Number 783585371054	Style Surface
----------------------------------	-----------------------------------	-------------------------

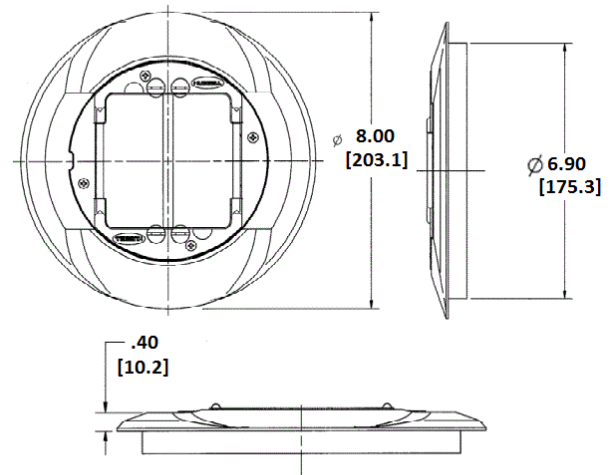
Finish Aluminum Powder Coat	Flange Diameter 8.0 Inches	Finished Floor Insert No
---------------------------------------	--------------------------------------	------------------------------------

Listings

cULus Listed
UL scrub water compliant
UL 514A Listed

Specifications

Cover Material	Die Cast Aluminum
Flange height	0.40 in.
Load Rating	300 lbs. static load through 3" diameter mandrel



Online Resources

Customer Use Drawing
eCatalog
Installation Instructions