

FEATURES

- Rotary action cam latches. Smooth operating for secure shielding retention
- Corner hinging for easy insertion and removal of shielding frame
- Flush steel shielding frame, screw assembled for easy diffuser replacement
- Housing ends secured by unique corner interlock and screws
- Metal to metal light leak protection on all four sides of shielding frame
- Rotary lock lampholders for positive lamp contact
- Heat sink embossments behind ballasts for cooler operation, longer life

PROJECT INFORMATION

Project Name _____

Type _____

Catalog No. _____

Date _____

HOUSING

Heavy gauge steel. Die formed for extra rigidity. Designed for installation in standard inverted tee grid ceilings.

BALLASTS

Energy-efficient, thermally protected, automatic resetting, Class "P", high power factor, sound rated A, unless otherwise specified.

FINISH

All metal parts processed with a phase phosphate bonding treatment. Grid units are pre-painted with high gloss baked white enamel, 86% reflective. Polyester powder coat paint after fabrication (PAF) option available, reflectance 90%.

SHIELDING

100% acrylic prismatic, extruded and roll-embossed, diagonally oriented female prisms, unless otherwise specified.

CERTIFICATION

All luminaires are built to UL 1598 standards and bear appropriate UL and cUL or CSA labels. Damp location labeling is standard. Emergency-equipped fixtures labeled UL 924.

ORDERING INFORMATION

EXAMPLE JT822-232U6G-FSA12-EU-F0730-C388

JT8		22 -		G -					
MODEL	NO. OF LAMPS	CEILING TYPE	SHIELDING	VOLTAGE	OPTIONS				
JT8 Dedicated T8 Lensed Troffer	2 Two 3 Three 4 Four	G Inverted T-bar	A12 Pattern 12 Acrylic 0.100" Nominal (Standard) A12.125 Pattern 12 Acrylic 0.125" Nominal A19 Pattern 19 Acrylic 0.156" Male Prism PC1 Silver Parabolic Louver ½" x ½" x ½"	U 120V-277V 347 347V	F0830U1 T8 U Lamps, 1½" Leg Spacing, 80CRI, 3000K, Furn/Inst. F0835U1 T8 U Lamps, 1½" Leg Spacing, 80CRI, 3500K, Furn/Inst. F0841U6 T8 U Lamps, 6" Leg Spacing, 80CRI, 4100K, Furn/Inst. F0730U6 T8 U Lamps, 6" Leg Spacing, 70CRI, 3000K, Furn/Inst. F0735U6 T8 U Lamps, 6" Leg Spacing, 70CRI, 3500K, Furn/Inst. F0741U6 T8 U Lamps, 6" Leg Spacing, 70CRI, 34100K, Furn/Inst. F0735 T8 FO17, 700 CRI, 3500K Lamps, Furn/Inst. GLR Fast Blow Fuse EL Emergency Battery Pack* SLL Spring Loaded Latches C388 ⅜" Flex with 3 No. 18 Wires C384 ⅜" Flex with 3 No. 14 Wires C488 ⅜" Flex with 4 No. 18 Wires C424 ½" Flex with 4 No. 14 Wires FK22 2' x 2' Flange Kit PAF Paint After Fabrication MS9 Master/Satellite w/9' Harness				
	SIZE 22' x 2'	DOOR STYLE FS Flush Steel FA Flush Aluminum For additional door styles contact your local Columbia Lighting representative.	For more shielding, see options and accessories section.	BALLAST E Electronic T8, Instant Start 3E 3-Lamp Electronic T8, Instant Start 4E 4-Lamp Electronic T8, Instant Start (17W lamps only) ETT Electronic Twin Tube, Instant Start (Specify voltage) For a specific ballast vendor, show as option.					
	LAMP TYPE								
	32U6 U-bent, T8, 32 Watt, 6" Leg Spacing (Two lamps only) 31U1 U-bent, T8, 31 Watt, 1½" Leg Spacing (Two or three lamps) 40TT 40 Watt, Twin Tube Compact Fluorescent (Two or three lamps) 17 2', T8, 17 Watt (Two, three, or four lamps)								

* 3-Lamp fixture utilizes 2 ballast compartments and can mount any standard battery pack. 2- and 4-Lamp fixtures can only mount one ballast and one 9" long or shorter battery pack. All other battery packs must be externally mounted.

PHOTOMETRIC DATA

Test 13122 Test Date 4/29/02

LUMINAIRE DATA

Luminaire	JT822-232U6G-FSA12-E-PAF JT8 Lensed Troffer 2' x 2' 2-Lamp With A-12 Pattern Acrylic Prismatic Lens
Ballast	B232R120HP
Ballast Factor	0.99
Lamp	FB032U6
Lumens per Lamp	2750
Watts	58
Mounting	Recessed
Shielding Angle	0° = 90 90° = 90
Spacing Criterion	0° = 1.32 90° = 1.23

ZONAL LUMEN SUMMARY

Zone	Lumens	Lamp	Fixt.
0-30	1294	23.5	31.4
0-40	2111	38.4	51.2
0-60	3496	63.6	84.8
0-90	4123	75.0	100.0
0-180	4123	75.0	100.0

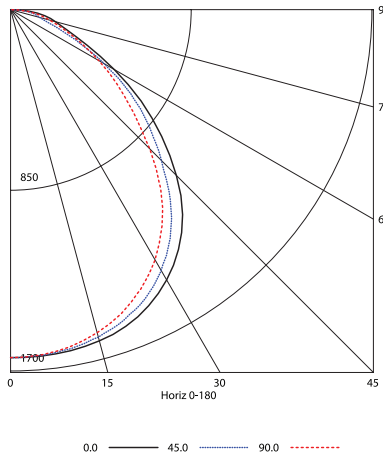
ENERGY DATA

Total Luminaire Efficiency	75.0%
Luminaire Efficacy Rating (LER)	70
ANSI/IESNA RP-1-2004 Compliance	Noncompliant
Comparative Yearly Lighting Energy Cost per 1000 Lumens	\$3.43 based on 3000 hrs. and \$0.08 per KWH

COEFFICIENTS OF UTILIZATION (%)

RCR	RW	80				70				50				0			
		70	50	30	10	70	50	30	10	50	30	10	0	50	30	10	0
1	82	79	76	73	80	77	74	72	74	72	70	64					
2	75	70	65	61	73	68	64	60	66	62	59	55					
3	69	62	56	51	67	61	55	51	58	54	50	47					
4	64	55	49	44	62	54	48	44	52	47	43	40					
5	59	49	43	38	57	49	43	38	47	42	38	35					
6	54	45	38	34	53	44	38	34	43	37	33	31					
7	50	41	34	30	49	40	34	30	39	34	30	28					
8	47	37	31	27	46	37	31	27	36	30	27	25					
9	44	34	28	24	43	34	28	24	33	28	24	22					
10	41	32	26	22	40	31	26	22	31	25	22	20					

INDOOR CANDELA PLOT



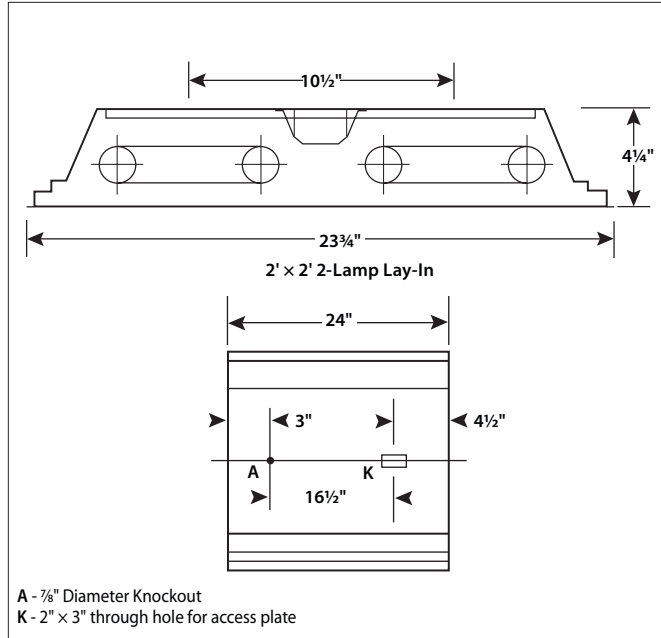
AVG. LUMINANCE (Candela/Sq. M.)

Average Luminance Angle	0.0	22.5	45.0	67.5	90.0
0	5320	5320	5320	5320	5320
30	5508	5452	5317	5159	5099
40	5341	5184	4959	4730	4658
45	5069	4871	4614	4361	4256
50	4691	4550	4297	3989	3822
55	4249	4124	3915	3569	3467
60	3659	3510	3315	3074	3113
65	3060	2899	2607	2607	2776
70	2708	2499	1967	2309	2508
75	2737	2335	1783	2260	2373
80	3050	2395	2115	2227	2489
85	3318	2796	2312	2349	2610

RCR = Room Cavity Ratio

RC = Effective Ceiling Cavity Reflectance RW = Wall Reflectance

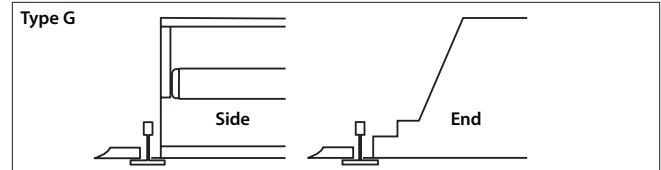
DIMENSIONAL DATA



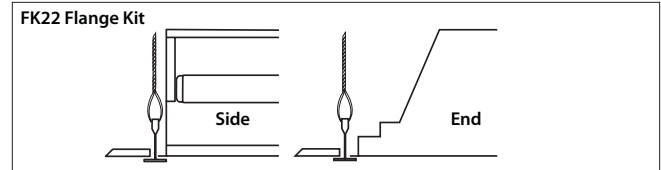
A - 3/8" Diameter Knockout
K - 2" x 3" through hole for access plate

NOTE: All dimensions are in inches; dimensions and specifications are subject to change without notice. Please consult factory or check sample for verification.

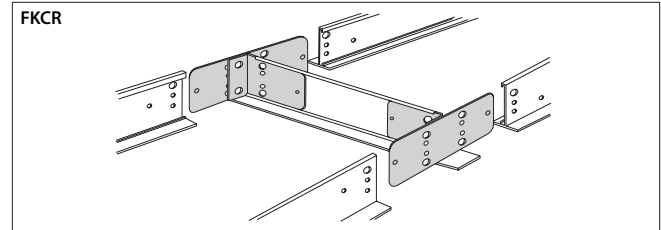
CEILING COMPATIBILITY



For lay-in installation in exposed grid ceilings. Maximum tee widths of 1" and maximum tee heights of 2" allowed.



For hard ceiling applications order FK22 flange kit. Flange kit wires directly into concealed ceiling opening for a clean, finished appearance.



For flanged fixtures in row configurations, the FKCR adapter bracket kit is required in addition to the FK22 kit. Order one less FKCR than the total number of fixtures in row. (Example: Row of two, order (2) FK22 & (1) FKCR)

Row cut out dimensions using FK22 & FKCR adapters:
Width 24 3/8", Length [24" x (# in row)] + 3/4". Example: [24" x 2] + 3/8" = 48 3/8"

Flange kit rough in dimensions for single unit only: 24 3/8" x 24 3/8"